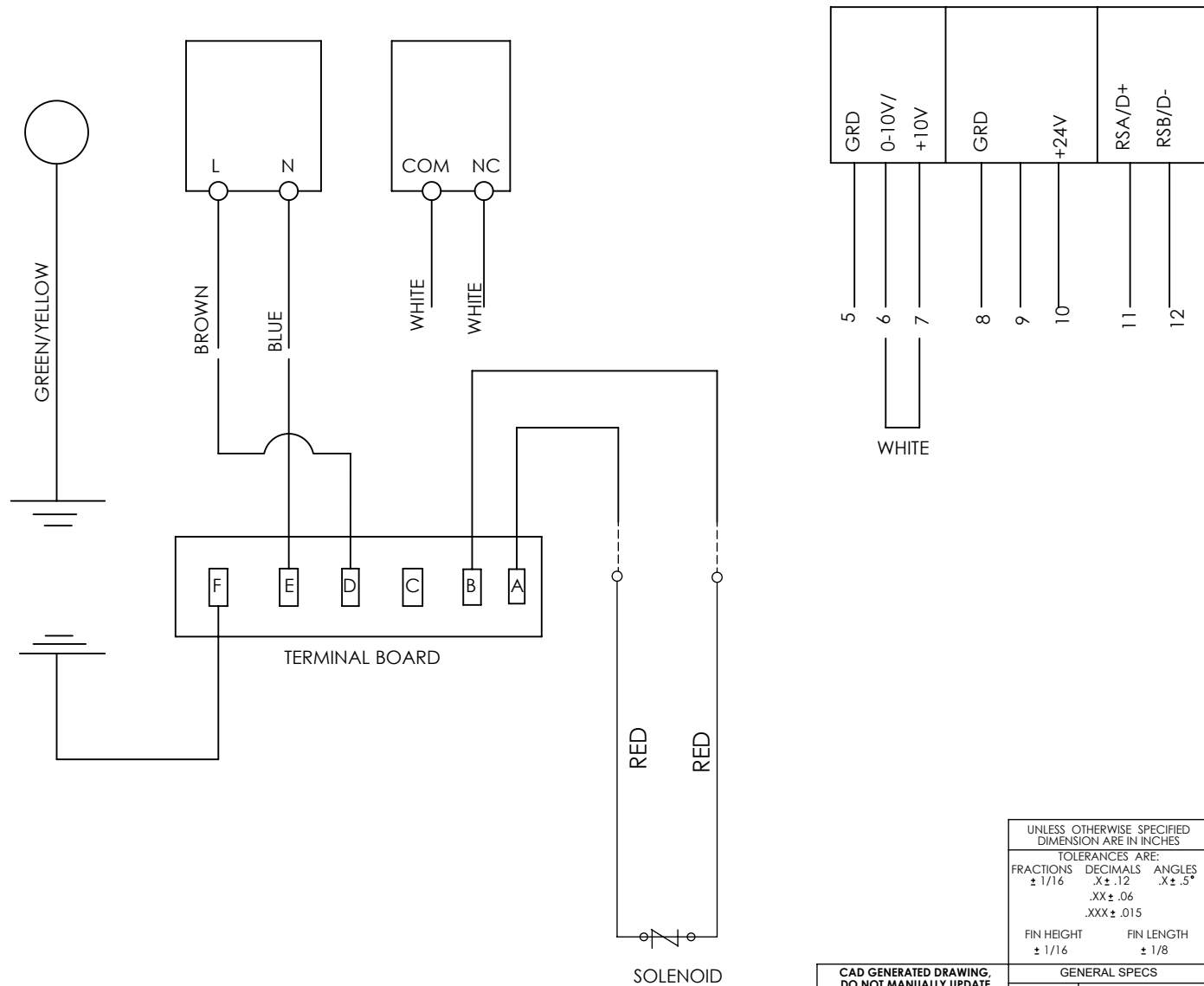


BRAZING



UNLESS OTHERWISE SPECIFIED
DIMENSION ARE IN INCHES

TOLERANCES ARE:
FRACTIONS DECIMALS ANGLES
 $\pm 1/16$ $.X \pm .12$ $.X \pm .5^\circ$
.XX $\pm .06$
.XXX $\pm .015$

FIN HEIGHT FIN LENGTH
 $\pm 1/16$ $\pm 1/8$

CAD GENERATED DRAWING,
DO NOT MANUALLY UPDATE
DO NOT SCALE DRAWING

GENERAL SPECS

THE INFORMATION CONTAINED IN THIS DRAWING IS THE SOLE
PROPERTY OF LRC COIL CO. ANY REPRODUCTION IN PART OR WHOLE
WITHOUT THE WRITTEN PERMISSION OF LRC COIL CO. IS PROHIBITED

| | | | |
|---------------------|------------------------|-----------|--------------|
| LRC COIL CO. | | | |
| SCALE: | DWG. NO. ES-HS180EC | REV. A | |
| DRAWN: | DATE: | SIZE: A | SHEET 1 OF 1 |