

D

C

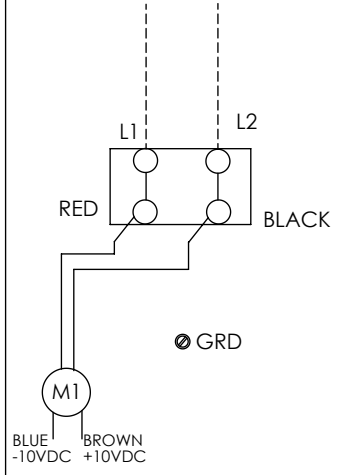
B

A

LEGEND

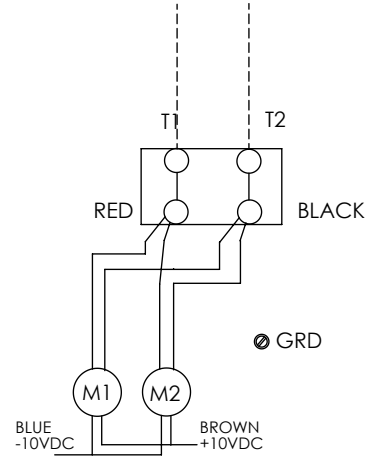
- L1,2 = LINES 1,2
- M1,2 = MOTORS 1,2,3,4
- GRD = GROUND
- FACTORY SUPPLIED COMPONENTS & WIRING
- FIELD SUPPLIED COMPONENTS & WIRING

1 FAN UNITS



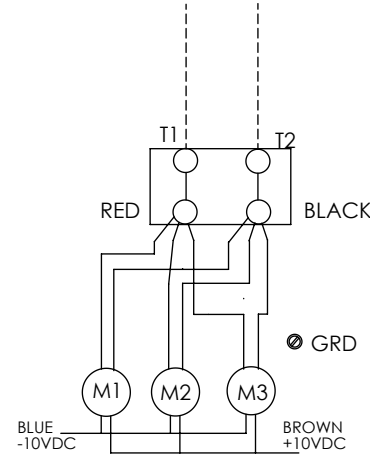
1 FAN UNIT	VOLTS	HP	PH	TOTAL FLA	MAX FUSE
	230	1	1	7.5	15A

2 FAN UNITS



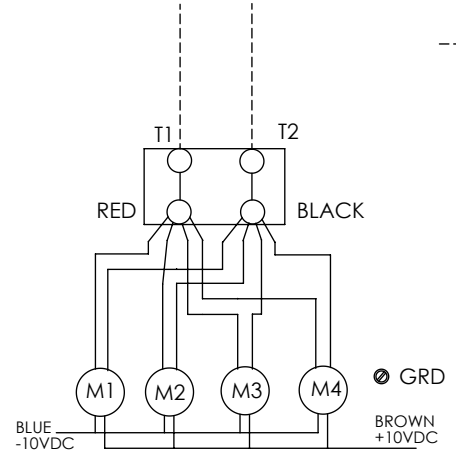
1 FAN UNIT	VOLTS	HP	PH	TOTAL FLA	MAX FUSE
	230	1	1	15	20A

3 FAN UNITS



1 FAN UNIT	VOLTS	HP	PH	TOTAL FLA	MAX FUSE
	230	1	1	22.5	30A

4 FAN UNITS



1 FAN UNIT	VOLTS	HP	PH	TOTAL FLA	MAX FUSE
	230	1	1	30	40A

BROWN ANALOG IN
 1.5VDC - 200RPM
 10VDC - 1200RPM
 IN PC APPLICATION
 CONSTANT 10VDC IS SENT TO MOTORS

UNLESS OTHERWISE SPECIFIED
 DIMENSIONS ARE IN INCHES
 TOLERANCES ARE:
 FRACTIONS DECIMALS ANGLES
 + .XX+ .XX + 1
 .XXX+.XXX

CAD GENERATED DRAWING,
 DO NOT MANUALLY UPDATE

APPROVALS	DATE
DRAWN BJ	11/28/2001
CHECKED	

MATERIAL XX	RESP ENG
FINISH --	MFG ENG
DO NOT SCALE DRAWING	QUAL ENG

LRC COIL CO.

WIRING DIAGRAM
 PCA ALL UNITS
 VARIABLE SPEED
 230V 1PH MOTORS

SIZE A	DWG. NO.	REV. A
	16333-03	
SCALE	CAD FILE:	SHEET OF

REV	DESCRIPTION	BY	DATE
A	INITIAL RELEASE	BJ	11/20/2001

FINAL ASSY	ALL PCA'S
NEXT ASSY	USED ON
APPLICATION	

THE INFORMATION CONTAINED IN THIS DRAWING IS THE SOLE PROPERTY OF
 LRC COIL CO. ANY REPRODUCTION IN PART OR WHOLE WITHOUT
 THE WRITTEN PERMISSION OF LRC COIL CO. IS PROHIBITED.