



LPAQ SPARE PARTS PRICE LISTING

General Notes:

Always replace parts using LRC Coil parts for maximum life from the unit.

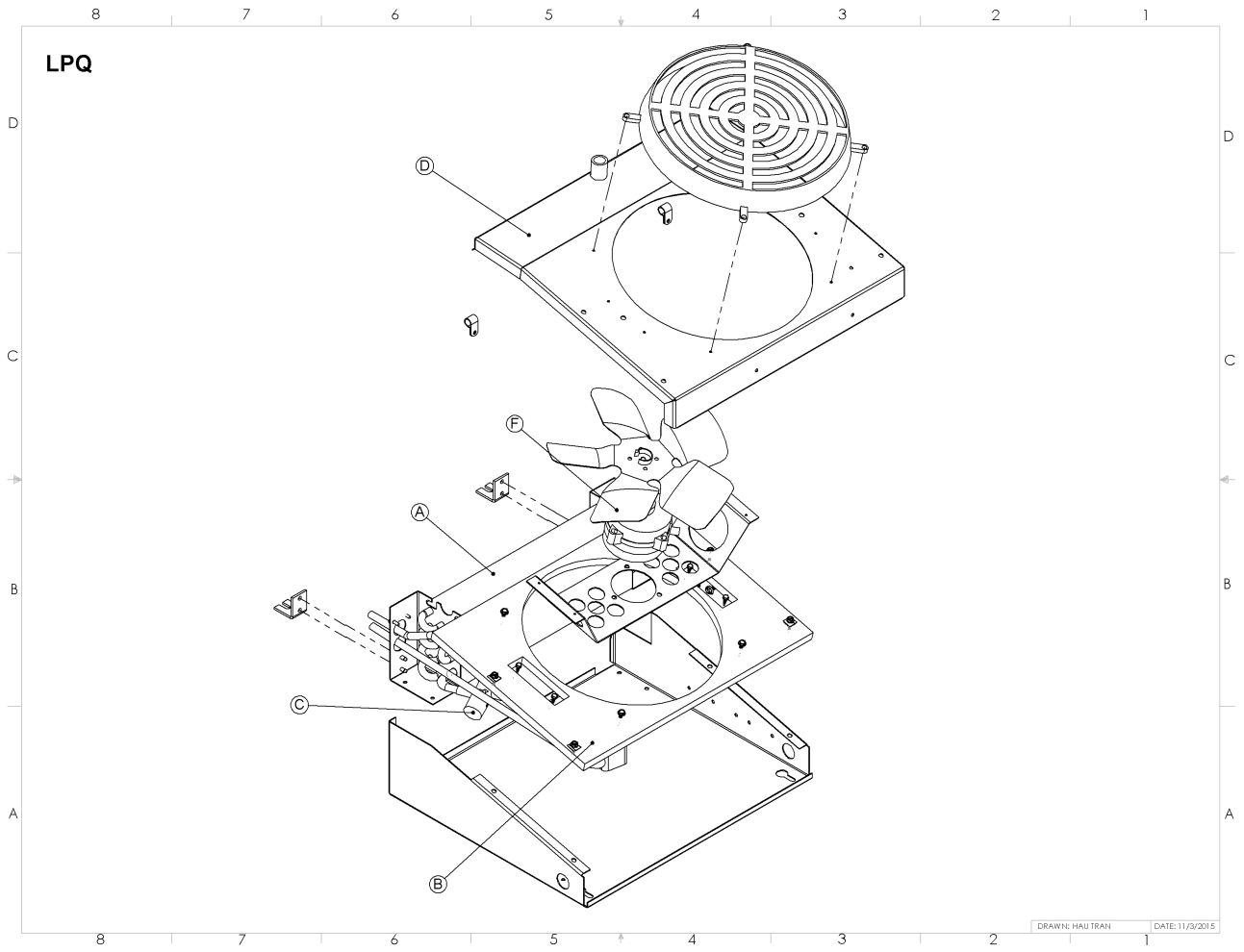
**DISCONNECT POWER BEFORE SERVICING UNIT OR INJURY
MAY RESULT**

Interpreting Serial Numbers

LRC Coil serial numbers are arranged with a unique serial number and date code.

#####-YYMM

- unique serial number
YYMM – Year Month of manufacture



Model	Part Description	Part Num.	Comment
LPA Series	A-Coil Assy	-	-
	LPA17-10Q		Not Recommended
	LPA17-13Q		Not Recommended
	LPA27-18Q		Not Recommended
	LPA27-23Q		Not Recommended
	LPA37-32Q		Not Recommended
	LPA47-42Q		Not Recommended
	LPA57-55Q		Not Recommended
	B, D – Venturi Panel w/ insulation (coated)		
	LPA17-10Q	21727-01	DP assy to replaced GE/EBM motors - 21805-00
	LPA17-13Q	21728-01	DP assy to replaced GE/EBM motors - 21806-00
	LPA27-18Q	21729-01	DP assy to replaced GE/EBM motors - 21807-00
	LPA27-23Q	21697-01	DP assy to replaced GE/EBM motors - 21808-00
	LPA37-32Q	26226-01	DP assy to replaced GE/EBM motors - 21809-00
	LPA47-42Q	21730-01	DP assy to replaced GE/EBM motors - 21810-00
	LPA57-55Q	21707-01	DP assy to replaced GE/EBM motors - 21811-00
	C – AXV – Expansion Valve		
	LPA17-10Q, LPA17- 13Q	2847	All model years
	LPA27-18 thru LPA57- 55	2847	Thru 11/2014 (internally eq-2 port)
		3628	After 12/1/14 (externally eq-3 port)
	E – Motor (all models)	3707	115v ECM Motor – for LPAQ models with black 1 piece motor (EBM/GE) entire venturi panel needs to be replaced. Motor no longer available.
		3708	230v ECM Motor
	F – Fan Blade (all models)	3100 2295	10” x 27 deg CW hubless 10” x 27 deg CCW hubless

Note: Refrigeration models of LPA/LPE with skeleton (“C”) frame motors no longer available.