



Q SPARE PARTS LISTING

General Notes:

Always replace parts using LRC Coil parts for maximum life from the unit.

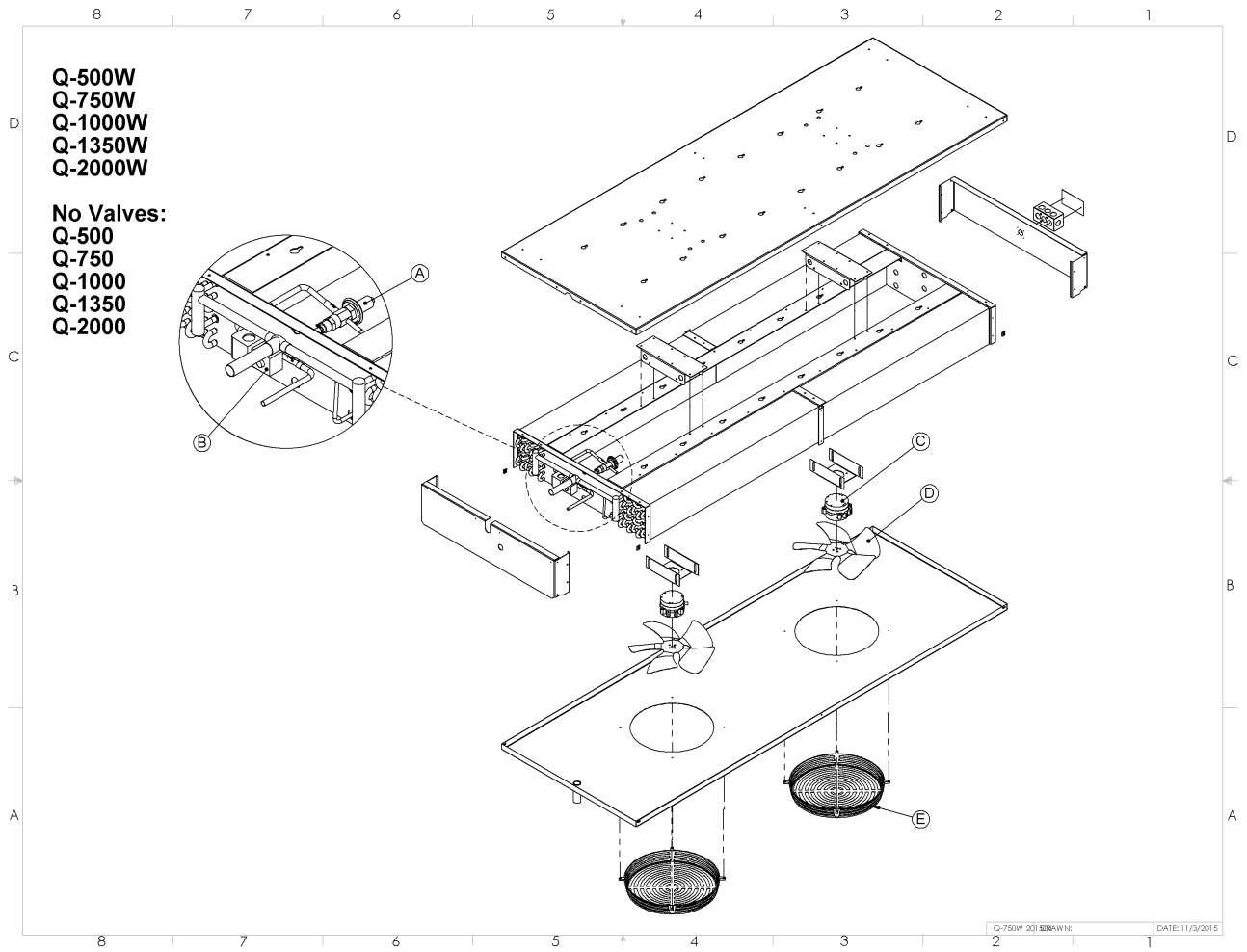
**DISCONNECT POWER BEFORE SERVICING UNIT OR INJURY
MAY RESULT**

Interpreting Serial Numbers

LRC Coil serial numbers are arranged with a unique serial number and date code.

#####-YYMM

- unique serial number
YYMM – Year Month of manufacture



Wine Unit Q Series Only			
Model	Part Description	Part Num.	Comment
Q Series	A-AXV – Expansion Valve	3628	3 port externally equalized AXV
	B - LLSV	2351/2760	120 volt coil
		2351/3120	24vac coil
	C – Motor (all models)	3707	115v ECM Motor
		3708	230v ECM Motor
	D – Fan Blade (all models)	3100	10” x 27 deg hubless
	E – Fan Guard (all models)	1037	

DRAINPANS

A-8376-1	1991 --> 2014	Q-500
A-3459-1	1985 --> 1990 *	Q-500
25552-01	2015 to NOW	Q-500 Refrigeration
*	2015 to NOW	Q-500 Wine
A-8376-2	1991 --> 2014	Q-750
A-3459-2	1985 --> 1990 *	Q-750
25552-49	2015 to NOW	Q-750 Refrigeration
*	2015 to NOW	Q-750 Wine
A-8376-3	1991 --> 2014	Q-1000
A-3459-3	1985 --> 1990 *	Q-1000
25733-01	2015 to NOW	Q-1000 Refrigeration
*	2015 to NOW	Q-1000 Wine
A-8376-4	1991 -->2014	Q-1350
*	2015 to NOW	Q-1350 Refrigeration
*	2015 to NOW	Q-1350 Wine
A-3459-4	1985 --> 1990 *	Q-1500
A-8376-5	1991 --> 2014	Q-1640
*	2015 to NOW	Q-1640 Refrigeration
*	2015 to NOW	Q-1640 Wine
A-8376-6	1991 --> 2014	Q-2000
A-3459-5	1985 --> 1990 *	Q-2000
25886-05	2015 to NOW	Q-2000 Refrigeration
*	2015 to NOW	Q-2000 Wine
A-8376-7	1991 --> 2014	Q-2600
A-3459-6	1985 --> 1990 *	Q-2600
*	2015 to NOW	Q-2600 Refrigeration
*	2015 to NOW	Q-2600 Wine
	* - contact tech support	