



WM SPARE PARTS LISTING

General Notes:

Always replace parts using LRC Coil parts for maximum life from the unit.

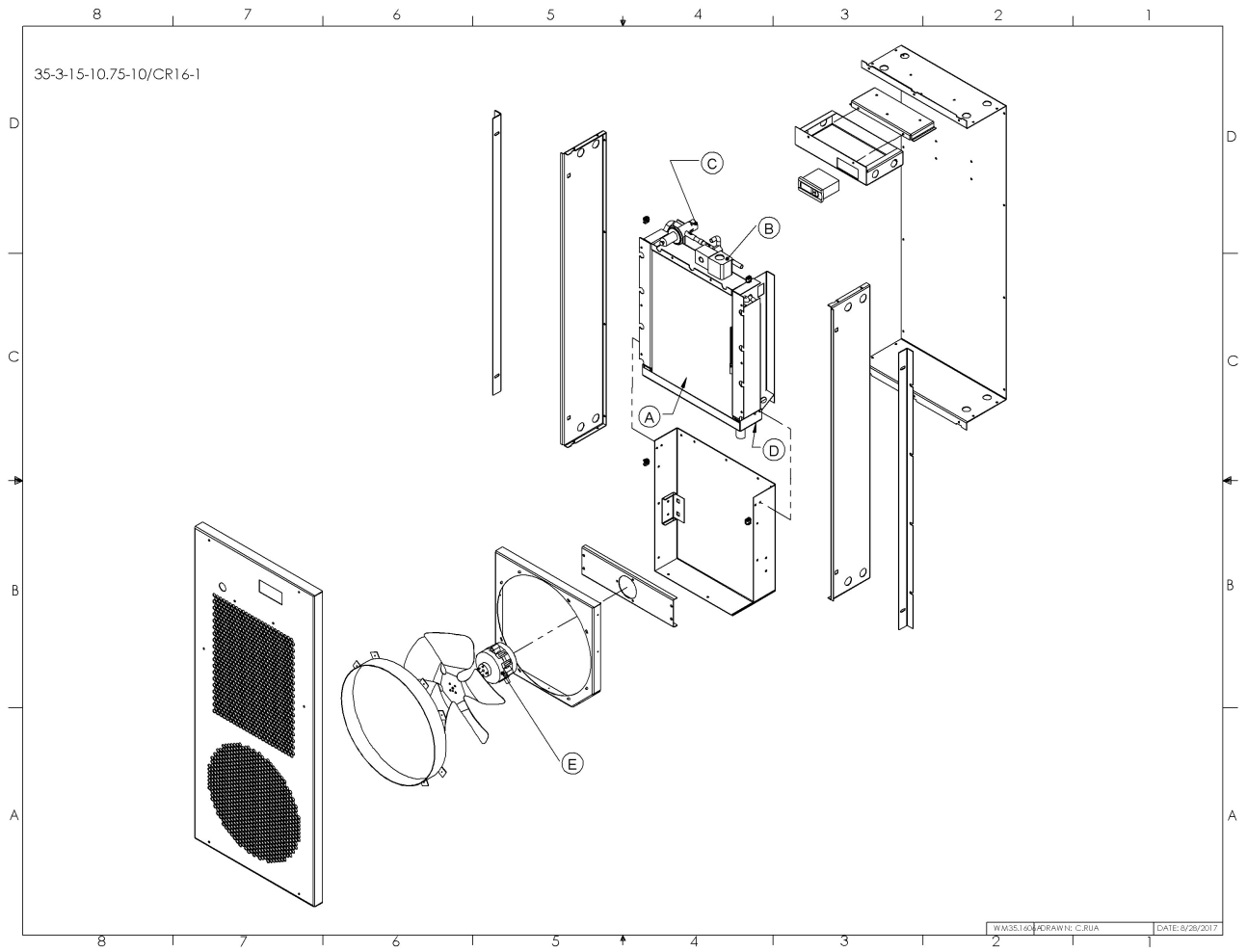
**DISCONNECT POWER BEFORE SERVICING UNIT OR INJURY
MAY RESULT**

Interpreting Serial Numbers

LRC Coil serial numbers are arranged with a unique serial number and date code.

#####-YYMM

- unique serial number
YYMM – Year Month of manufacture



Model	Part Description	Part Num.	Comment
WM 15, 25, 35, 50	A- Coil Assembly		
	WM-15, 25, 35	25550-20	Coated coils (set of LH/RH)
	WM-50	25550-10	Coated coils (set of LH/RH)
	B - LLSV	2351/2760	120 volt coil
		2351/3130	24vac coil – units not made in this configuration
	C - AXV	2847	Externally equalized – 2 ports
	D – Drain Pan –		
	WM 15/25/35	25550-10	
	WM-50	25550-51	
	E – Fan Blade	3168	12” x 24 deg CW hubless
	F – Fan motor	3707	120vac, 3 speed, ECM
		3708	230vac, 3 speed, ecm
	G – Controls	3052/3053	LAE Controller/with sensor