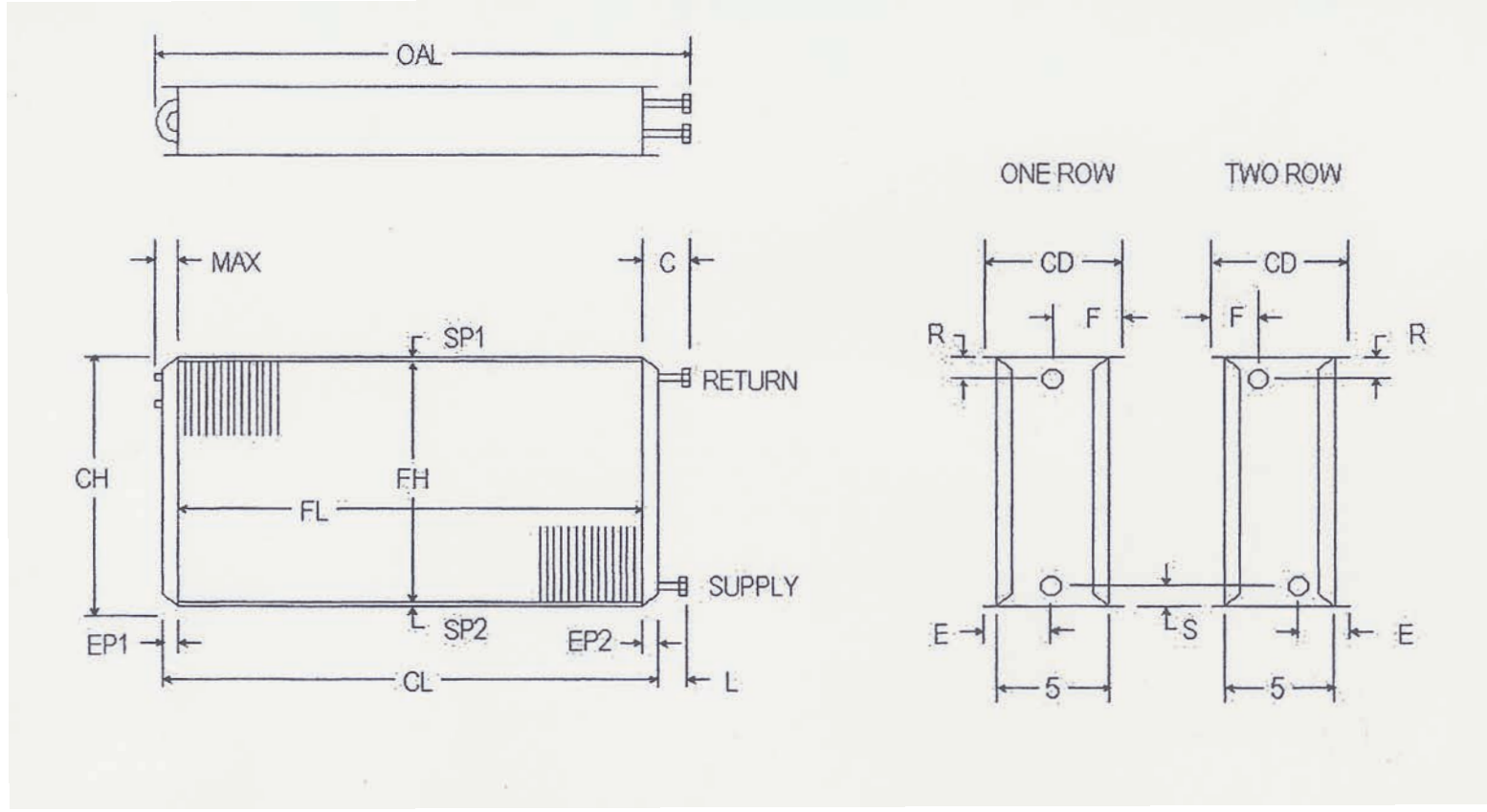




Slip Drive Booster



| | |
|---|--|
| Rows | |
| FPI | |
| Tubes OD & Wall Thickness Copper Only | |
| Fins Material & Thickness | |
| Casing Material & Thickness | |
| Headers Ø Diameter Copper Only | |

Dimensional Data (In Inches)

OAL = Max + FL + C

Connection Sizes
 3/4 MPT 1 MPT

| Item | Qty | Rows | FPI | SP1 | FH | SP2 | CH | EP1 | FL | EP2 | CL | CD | MAX | C | OAL | Supply | Return | CU |
|------|-----|------|-----|-----|----|-----|----|-----|----|-----|----|----|-----|---|-----|--------|--------|----|
| | | | | | | | | | | | | | | | | | | |

| | | | | |
|-------------|--|-----------|--|-------|
| P.O. # | | Customer | | Notes |
| W.O. # | | Model No. | | |
| Approved By | | Tag: | | |
| Date | | Notes | | |

| | | | | | | | | | | | | | | |
|------------------|-----|--|---------|--|---------|--|----------|--|-----|--|-----|--|-----|--|
| Performance Data | CFM | | EDB/EWB | | LDB/LWB | | Capacity | | EWT | | LWT | | GPM | |
|------------------|-----|--|---------|--|---------|--|----------|--|-----|--|-----|--|-----|--|