

Quiet, Low Velocity Air Handler

Air Defrost - 1/4" H₂O Static Pressure, 2,023 to 19,820 BTUH
Application - Vertical airflow, mechanical closets

**Extremely
Quiet
Unit**

LRC's Vertical Air Handler (VAH) Evaporators are powerful, low noise units in small insulated cabinets that supply refrigerated and humidity controlled air to spaces without the inconvenience or noise of an in-room evaporator. VAH Evaporators are designed for small to medium sized rooms and have an air return at the rear of the unit and a top outlet.

VAH Evaporator units are available in capacities from 2,023 to 19,820 BTU and can be used with R-22, R134a, or R404a refrigerants. Chilled water models are available by special order.

- Low noise for sensitive areas
- Provides 1/4" H₂O duct run static pressure
- Rustproof all-aluminum cabinet. Flat black powder coated finish available. Call for details.
- Ideal for mechanical closets
- Provides consistent room humidity by maintaining a steady coil temperature, reducing the need for expensive temperature and humidity controls in most applications.* Contact LRC for more details.
- Constant pressure expansion valve and solenoid valve standard
- Thermally protected motors
- Fan speed controller
- High performance staggered coils with copper tubing mechanically expanded into aluminum fins
- Pressure tested to eliminate leaks.
- Factory wired for easy field installation
- Coil and drain pan coated with LRCCoat™ anticorrosion coating
- ETL listed

* = Assumes areas surrounding the humidity controlled room are maintained to ASHRAE conditions of 80°/67°. For humidity controlled rooms with different surrounding conditions, please contact LRC.



Options Available— Call for details

- Copper or coated coils for coastal/special applications
- Secondary drain pan for elevated/sensitive installations
- Stainless steel or painted cabinets available for corrosive environments available
- Pre-charged, custom or OEM units can be made to your order

Our Application Engineers can help you design the system you need. Call us today, 562-944-1969, and we'll help you get the right LRC product for your project.



OUR UNCONDITIONAL GUARANTEE

We're proud of the workmanship that goes into every LRC product. Because of our exacting design and manufacturing standards, and our thorough testing prior to shipping, we unconditionally guarantee our products to be free from manufacturing defects for one year. You can count on LRC Coil for quality heat transfer products.

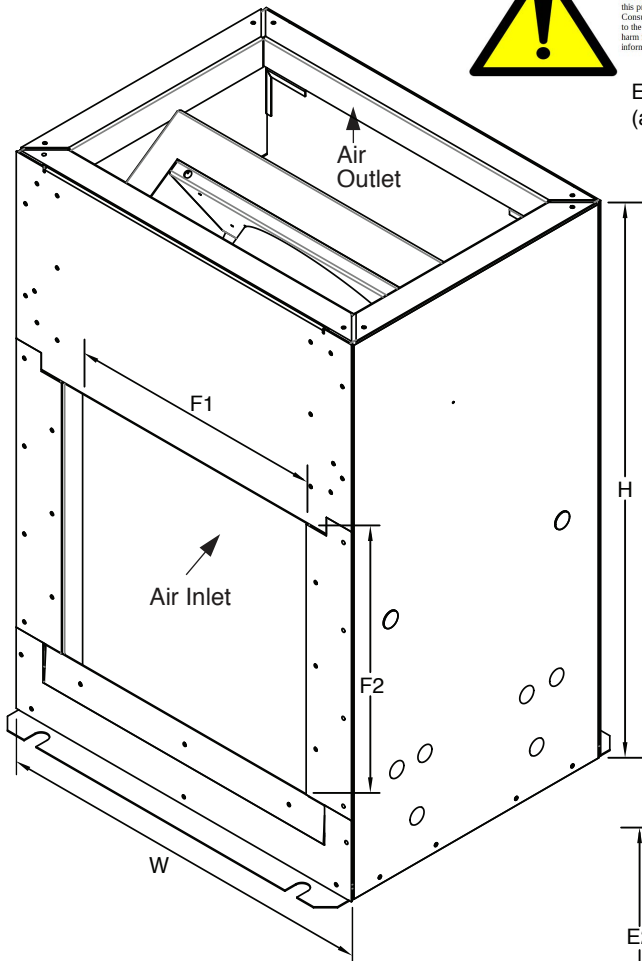
Visit www.LRCCoil.com for installation and maintenance data, and wiring diagrams.

At LRC, we are continuously working to improve our products, therefore, we reserve the right to make changes without notice.

All measurements are in inches.



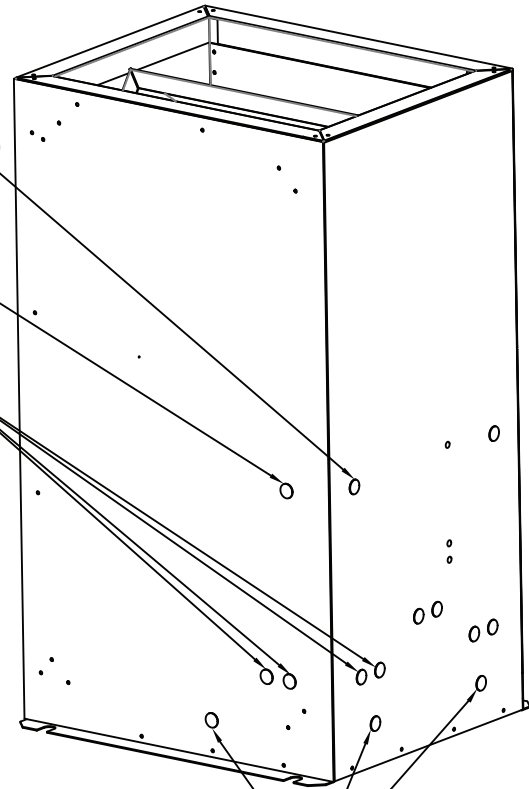
WARNING: The only harmful routes of exposure for this product is through inhalation and ingestion of this product. THIS PRODUCT IS NOT DESIGNED OR MEANT TO BE INHALED OR INGESTED. The only route of exposure that this product is meant for is dermal exposure (skin contact). Consumers face no significant risk to chemicals that are known to the State of California to cause cancer and/or reproductive harm from dermal exposure to this product. For more information, go to www.Prop65Warning.ca.gov.



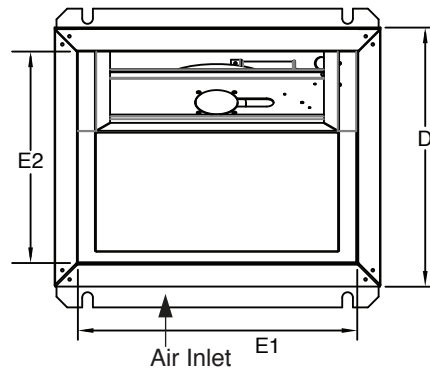
Electrical Connections (available on both sides)

Expansion valve adjustment

Refrigerant line knockouts (available on both sides)



Water drain outlets - use flexible tubing. (Outlets also available on other side of unit.)



Our Application Engineers can help you design the system you need. Call us today, 562-944-1969, and we'll help you get the right LRC product for your project.

Visit www.LRCCoil.com for Installation and Maintenance Data and Wiring Diagrams.

VAH (Vertical Air Handler) Specifications

Model No.	Max CFM	Amps	Dimensions (inches)								Drain	Liq.	Suct.	BTUH Cap. @ 17° TD 38° SST, 55° Room			Unit Wt.
			H	D	W	E1	E2	F1	F2	R22				R134a	R404a		
VAH-25	325	0.8	20 1/4	12 7/16	15 15/16	12 3/4	8 7/8	12 1/4	9 3/4			3/8	2,117	2,023	2,101	35	
VAH-31	580	1.85	25 1/8	15 5/8	20 7/8	17 11/16	12 1/16	14	12			3/8	4,793	4,471	4,698	42	
VAH-47	630	1.85	30 1/8	15 5/8	20 7/8	17 11/16	12 1/16	14	16	7/8	3/8	5/8	7,635	6,915	7,493	48	
VAH-66	1,150	2.1	39 1/8	18 1/4	22 7/8	19 9/16	14 15/16	16 5/8	18			5/8	8,666	8,080	8,510	54	
VAH-87	1,150	2.1	39 1/8	18 1/4	22 7/8	19 9/16	14 15/16	16 5/8	18			5/8	12,310	11,840	12,070	58	
VAH-120	1,800	4.3	44 3/8	20 5/16	27 7/8	24 9/16	16 15/16	24 1/16	24			7/8	19,820	18,624	19,487	63	

Please note:

LRC cooling units are designed to minimize noise and vibration. To reduce/eliminate amplification of existing noise or vibration, extreme care must be taken during installation. Please refer to supplied installation instructions and use proper installation materials to minimize acoustic impact.

The use of oversized condensing units can lead to poor wine room evaporator performance and possible system failure. When installing a LRC wine room evaporator, it is recommended that condensing units be sized LESS than or equal to the evaporator capacity. Contact LRC Coil's Application Engineers at 562-944-1969 for questions or assistance.

Our website has a Wine Room Capacity Calculator that instantly determines room loads and capacities, enabling you to know cooling equipment requirements based on your exact specifications. Visit LRCCoil.com for details.