



**CTIH
(June 2015 and later)
SPARE PARTS LISTING**

General Notes:

Always replace parts using LRC Coil parts for maximum life from the unit.

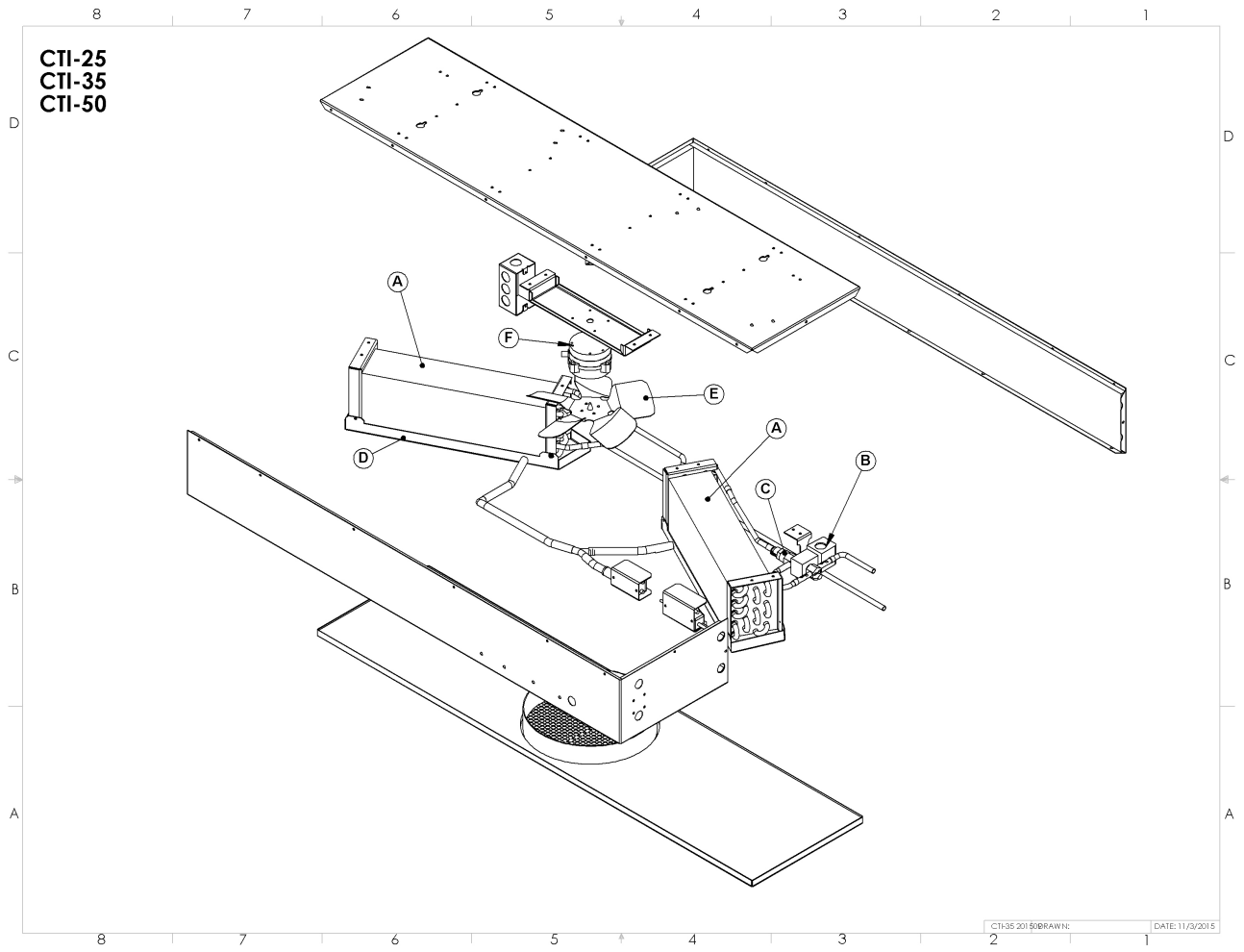
**DISCONNECT POWER BEFORE SERVICING UNIT OR INJURY
MAY RESULT**

Interpreting Serial Numbers

LRC Coil serial numbers are arranged with a unique serial number and date code.

#####-YYMM

- unique serial number
YYMM – Year Month of manufacture



Model	Part Description	Part Num.	Comment
CTI 25, 35, 50	A- Coil Assembly		
	CTI-25, 35	26003-01/02	Coated coils (set of LH/RH)
	CTI-50	26004-01/02	Coated coils (set of LH/RH)
	B - LLSV	2351/2760	120 volt coil
		2351/3120	24vac coil
	C - AXV	3628	Externally equalized – 3 ports
	D – Drain Pan –		
	CTI 25/35	26003-16/17	
	CTI-50	26004-16/17	
	E – Fan Blade	3100	10” x 27 deg CW hubless
	F – Fan motor	3707	120vac, 3 speed, ECM
		3708	230vac, 3 speed, ecm
	G – Condensate Pump	4001	Mini Condensate Pump