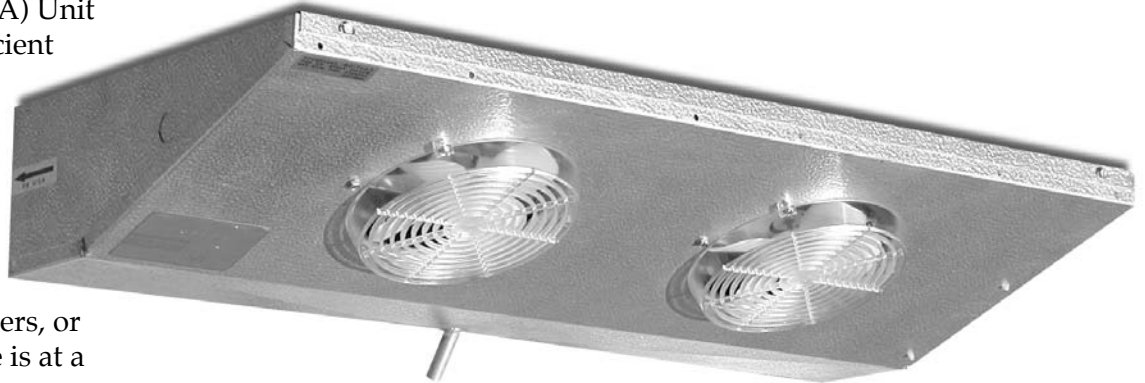


Low Velocity Unit Cooler

Air Defrost

1,024 to 5,898 BTUH Capacity

LRC's Low Profile (LPA) Unit Coolers are small, efficient cooling systems in a slim, low profile cabinet. LPA coolers are designed for small to medium sized reach-in coolers, back-bars, beverage or salad coolers, or any room where space is at a premium.



LP units are available with ambient air defrost (LPA), or can be manufactured with electric heaters for rooms requiring defrost assistance (see LPE technical bulletin for details). All of LRC's LP units are designed with staggered coils for maximum air flow efficiency.

Efficient and dependable, LRC's LPA units have capacities ranging from 1,024 BTUH to 5,898 BTUH, and can be used with R-22, R-134A, R-404A, or R-507 refrigerants. LRC's LP units are simple to install, easy to maintain, and will provide years of reliable service.

- Low horsepower motors and quiet fan blades reduce noise
- Molded Lexan® fan guard(s)
- Ideal for high humidity room applications
- Compact size maximizes available storage space
- All motors are thermally protected
- High performance staggered coils, with tubing mechanically expanded into aluminum collared fins
- Each unit is pressure tested to

- eliminate leaks
- Rustproof all-aluminum cabinet. Epoxy, polyester, or phenolic coatings are available for additional corrosion protection
- Factory wired for easy field installation
- Air defrosting coil requires no additional heater
- Electric defrost available for rooms below +35° F. (See LPE technical bulletin.)
- NSF approved for flush to ceiling installation
- ETL certified

Options Available – Call for details

Copper coils, stainless steel or painted cabinets, pre-charged, custom or OEM units can be made to your order. Adjustable defrost termination and fan delay control is available. Consult factory for details.

Our Application Engineers can help you design the system you

need. Call us today, 562-944-1969, and we'll help you get the right LRC product for your project.

Product Number Designation Example

LPA27-23-*** is broken down as
 LP = Low Profile Unit Cooler
 A = Air Defrost Unit
 2 = 2 Fans
 7 = 7 FPI
 23 = BTU/H times 100 at 10° F T.D.
 *** = Specify motor voltage

Visit www.lrccoil.com for installation and maintenance data, and wiring diagrams.

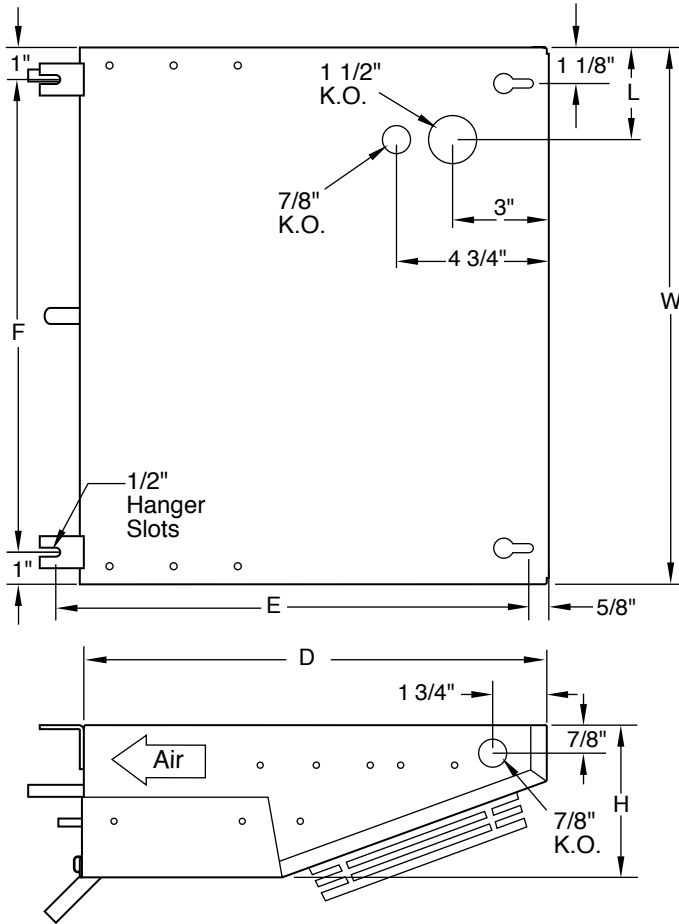
OUR UNCONDITIONAL GUARANTEE

We're proud of the workmanship that goes into every LRC product. Because of our exacting design and manufacturing standards, and our thorough testing prior to shipping, we unconditionally guarantee our products to be free from manufacturing defects for one year. You can count on LRC Coil for quality heat transfer products.

At LRC, we are continuously working to improve our products, therefore, we reserve the right to make changes without notice.

© LRC Coil Company 2003





Our Application Engineers can help you design the system you need. Call us today, 562-944-1969, and we'll help you the right LRC product for your project.

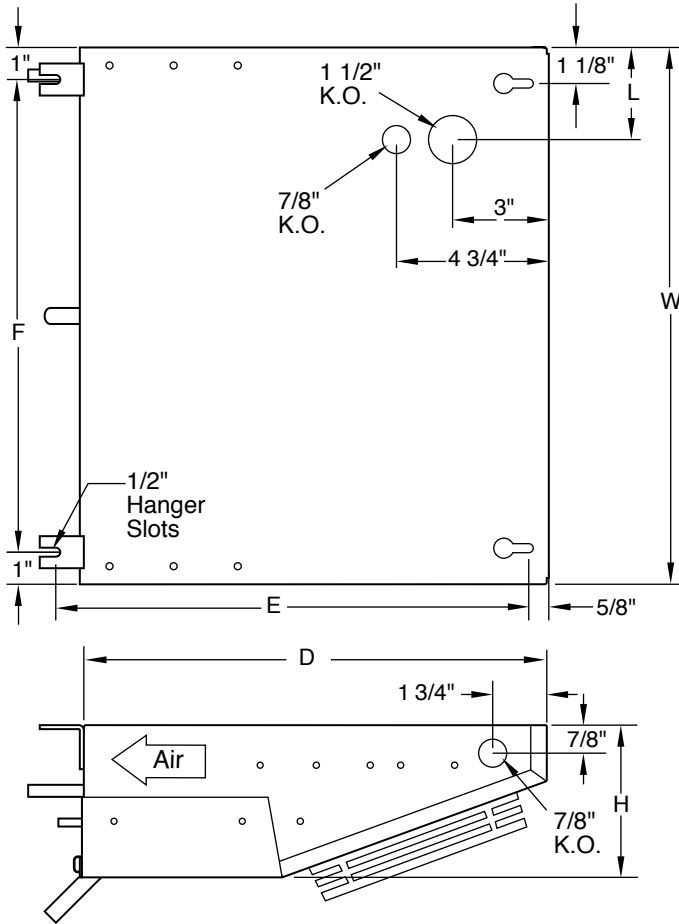
Low Profile AIR Defrost Unit Cooler (LPA) Physical Data

Model No.	Dimensions						Suction Con.	Weight (Lbs.)
	W	D	H	E	F	L		
LPA17-10-***	16 3/4	14 1/2	4 3/4	14 3/4	14 3/4	2 3/4	3/8 OD	15
LPA17-13-***	20 3/4	14 1/2	4 3/4	14 3/4	18 3/4	3 3/4	3/8 OD	18
LPA27-18-***	24 1/4	14 1/2	4 3/4	14 3/4	22 1/4	11 3/4	3/8 OD	22
LPA27-23-***	31 3/4	14 1/2	4 3/4	14 3/4	29 3/4	15 1/2	1/2 OD	29
LPA37-32-***	40 1/4	14 1/2	4 3/4	14 3/4	38 1/4	6 3/4	1/2 OD	37
LPA47-42-***	53 3/4	14 1/2	4 3/4	14 3/4	51 3/4	8 1/2	1/2 OD	45
LPA57-55-***	53 3/4	16 1/2	6 3/4	16 3/4	51 3/4	5 1/4	1/2 OD	61

6" fan diameter. Liquid Connection is 3/8" OD. Drain Connection is 1/2" OD.

Low Profile AIR Defrost Unit Cooler (LPA) Specifications

Model No.	Fan Data		Motor Amps		BTUH Capacity @ 25 ST (R22)	
	# Fans	CFM	115V/1Ø	230V/1Ø	10°F TD	12°F TD
LPA17-10-***	1	150	0.73	0.37	1,024	1,228
LPA17-13-***	1	180	0.73	0.37	1,304	1,560
LPA27-18-***	2	300	1.5	0.75	1,852	2,127
LPA27-23-***	2	350	1.5	0.75	2,334	2,680
LPA37-32-***	3	500	2.2	1.1	3,218	3,508
LPA47-42-***	4	600	2.9	1.5	4,170	4,802
LPA57-55-***	5	750	3.7	1.9	5,510	5,898



Our Application Engineers can help you design the system you need. Call us today, 562-944-1969, and we'll help you the right LRC product for your project.

Low Profile AIR Defrost Unit Cooler (LPA) Physical Data

Model No.	Dimensions						Suction Con.	Weight (Lbs.)
	W	D	H	E	F	L		
LPA17-10-***	16 3/4	14 1/2	4 3/4	14 3/4	14 3/4	2 3/4	3/8 OD	15
LPA17-13-***	20 3/4	14 1/2	4 3/4	14 3/4	18 3/4	3 3/4	3/8 OD	18
LPA27-18-***	24 1/4	14 1/2	4 3/4	14 3/4	22 1/4	11 3/4	3/8 OD	22
LPA27-23-***	31 3/4	14 1/2	4 3/4	14 3/4	29 3/4	15 1/2	1/2 OD	29
LPA37-32-***	40 1/4	14 1/2	4 3/4	14 3/4	38 1/4	6 3/4	1/2 OD	37
LPA47-42-***	53 3/4	14 1/2	4 3/4	14 3/4	51 3/4	8 1/2	1/2 OD	45
LPA57-55-***	53 3/4	16 1/2	6 3/4	16 3/4	51 3/4	5 1/4	1/2 OD	61

6" fan diameter. Liquid Connection is 3/8" OD. Drain Connection is 1/2" OD.

Low Profile AIR Defrost Unit Cooler (LPA) Specifications

Model No.	Fan Data		Motor Amps		BTUH Capacity @ 25 ST (R22)	
	# Fans	CFM	115V/1Ø	230V/1Ø	10°F TD	12°F TD
LPA17-10-***	1	150	0.73	0.37	1,024	1,228
LPA17-13-***	1	180	0.73	0.37	1,304	1,560
LPA27-18-***	2	300	1.5	0.75	1,852	2,127
LPA27-23-***	2	350	1.5	0.75	2,334	2,680
LPA37-32-***	3	500	2.2	1.1	3,218	3,508
LPA47-42-***	4	600	2.9	1.5	4,170	4,802
LPA57-55-***	5	750	3.7	1.9	5,510	5,898