

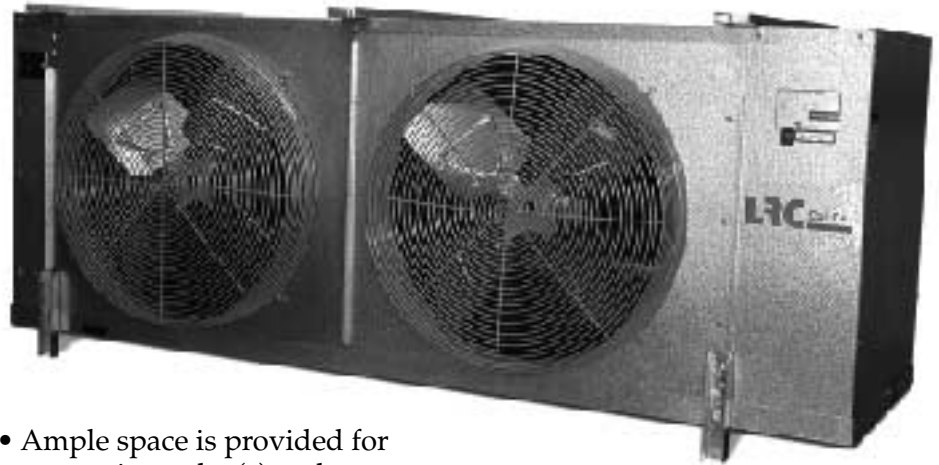
## High Velocity Unit Cooler

8,884 to 162,367 BTUH Capacity

Manufactured for large walk-in coolers, freezers, or blast freezers, LRC's Power Cooler ("PC") Unit Coolers are designed for applications below 30°F, and for rooms requiring medium to high temperatures. LRC has over 100 "PC" units, ranging in capacity from 8,884 BTUH to 162,367 BTUH, and can be used with R-22, R-404A, R407, R410, R-502, R-507, or other refrigerants.

Available in air, hot gas, or electric defrost models, LRC's "PC" units are the right choice for heavy duty cooling projects.

- Powerful all-aluminum fans provide long air throw for large room applications
- Fans and fan blades are individually balanced to reduce vibration and noise
- Durable, rustproof all-aluminum cabinet. Stainless steel cabinets, or epoxy, polyester, or phenolic coatings are available for additional corrosion protection
- High performance 3/4 hp, 1075 RPM motors can operate on 208/230/1, 208/230/3, 460/1, or 460/3 power
- Low temperature motors for blast cooling and freezing room temperatures below -30 F
- Easily accessible electrical panel and electrical connections pre-wired to screw type terminal blocks makes wiring simple
- Slotted hangers make installation fast and easy
- Designed for direct expansion R-22, R-12, R-404A, R-502, R-507 or other refrigerants. Specify refrigerant when ordering



- Ample space is provided for expansion valve(s) and refrigerant connections
- High performance staggered coils, with tubing mechanically expanded into aluminum collared fins
- Air defrost – available on all units. Recommended for coolers at +35 F or more
- Hot Gas defrost for rooms below +35°F – includes an adjustable defrost termination/fan delay control so defrost can be set for specific applications. Hot Gas Reverse cycle also available, consult factory for details
- Electrical defrost for rooms below +35°F – heaters(s) located in the center of the coil provide a rapid and even defrost pattern. An adjustable defrost termination/fan delay control is included so defrost can be set for specific applications.
- ETL certified

### Options Available – Call for details

- Custom circuiting for Glycol applications available
- 3 phase power option available

- Energy efficient motors can be ordered to reduce power consumption
- Copper or coated aluminum fins are available for additional corrosion resistance
- Long air throw collars for large room applications
- Insulated drain pans
- Low velocity or ultra-high velocity fans can be ordered for speciality applications
- OEM or customized units are available. Call factory for details

### Product Number Designation Example

PC\*46-992 =

PC = Power cooler

\* = A (Air defrost), E (Electric defrost), or H (Hot Gas defrost)

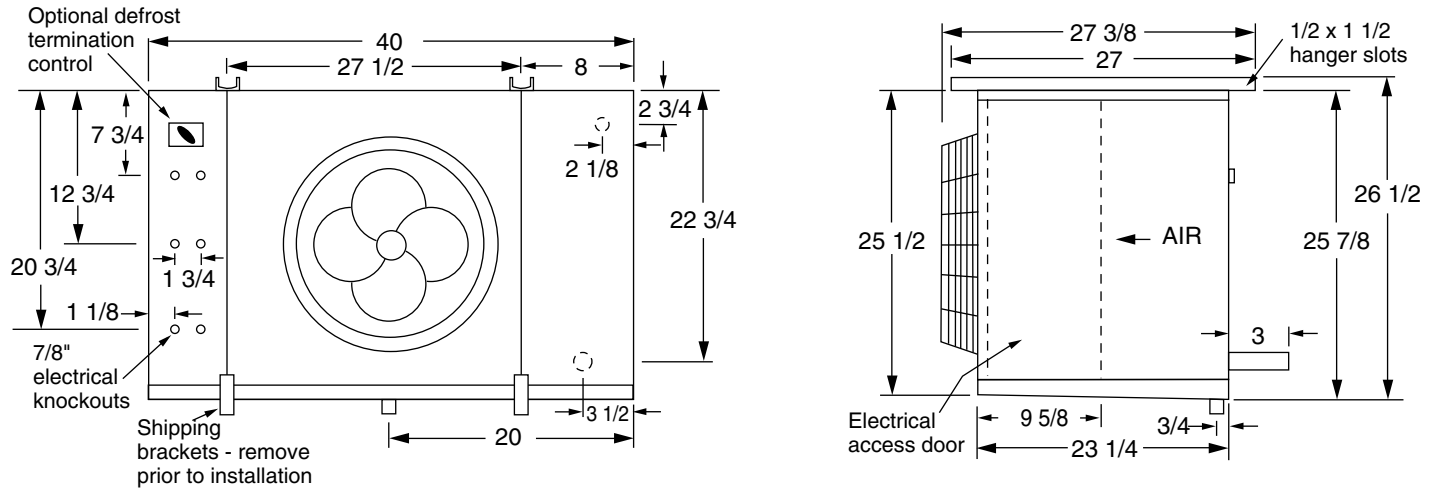
4 = Number of fans

6 = Fins per inch

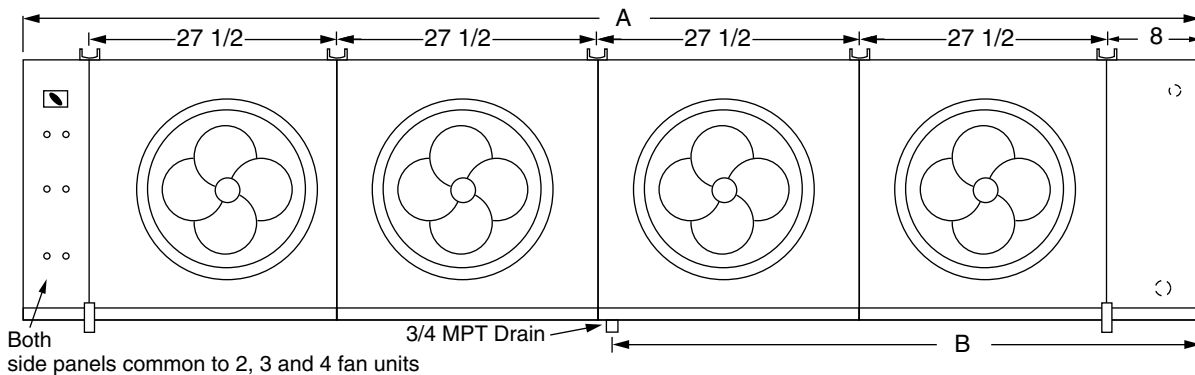
-992 = BTUH's at -20°F ST (freezer units) or BTUH's at +25°F ST/10°F TD (cooler units)



All measurements are in inches



Where are the ext eq., and hot gas connections? Do I need dimensions?



**Power Cool Unit Physical Data**

# Fans	Motor AMPS		Electric Defrost AMPS					Watts	Ref. Connections		
	208/230 1Ø	460 1Ø	208 1Ø	208 3Ø	230 1Ø	230 3Ø	460 3Ø		Liquid	Suction	Ext. Equip.
1 Fan	4.4	2.2	20.7	12	22.8	13.2	6.6	5,250	5/8	1 3/8	1/4
2 Fans	8.8	4.4	37.8	22	41.7	24.1	12.1	9,600	7/8	1 5/8	1/4
3 Fans	13.2	6.6	55.1	32.1	60.7	35.1	17.6	13,980	1 1/8	2 1/8	1/4
4 Fans	17.6	8.8	70.9	41.3	78.2	45.2	22.7	18,000	1 3/8	2 1/8	1/4

Fan diameter is 20" Fan horsepower is 3/4.

Connection sizes are based on the following—Freezer units = -20°F ST, 10°F TD, R-404A

Cooler units = +25°F ST, 10°F TD, R22

Should conditions differ from those listed above, connection sizes and quantity may vary—call LRC's Application Engineers for more information.

# Fans	Air Throw (Feet)		Dimensions (In)		# of Hangers
	w/out collar	w/collar	A	B	
1 Fan	80	80	40	20	2
2 Fans	80	100	67 1/2	33 3/4	3
3 Fans	80	100	95	47 1/2	4
4 Fans	80	100	122 1/2	61 1/4	5

Air throw data is based on 30 ft. ceiling height with no obstructions, and applies to electric and hot gas defrost models only.

Our Application Engineers can help you design the system you need. Call us today, 562-944-1969, and we'll get you get the right LRC product for your project.

## Freezer Units

### Electric (E) or Hot Gas (H) Defrost

#### 4 Fins per Inch

Model No.	Fan Data		BTUH Capacity @ 10°F TD (R22, R404A)				Unit Weight (lbs) E/H Units
	QTY	CFM	-30°F ST	-20°F ST	-10°F ST	+10°F ST	
PC*14-140	1	3,950	12,382	13,984	14,567	15,732	136
PC*14-168	1	3,900	14,879	16,804	17,504	18,905	143
PC*14-194	1	3,850	17,157	19,377	20,184	21,799	150
PC*14-215	1	3,775	19,052	21,517	22,414	24,207	157
PC*14-237	1	3,725	20,972	23,686	24,673	26,647	164
PC*24-285	2	7,900	25,278	28,549	29,739	32,118	220
PC*24-339	2	7,800	30,017	33,901	35,314	38,139	235
PC*24-395	2	7,700	34,957	39,481	41,126	44,416	249
PC*24-440	2	7,550	38,930	43,968	45,800	49,464	264
PC*24-479	2	7,450	42,442	47,934	49,931	53,926	278
PC*34-516	3	11,700	45,696	51,610	53,760	58,061	327
PC*34-593	3	11,550	52,468	59,258	61,727	66,665	349
PC*34-660	3	11,325	58,422	65,982	68,731	74,230	370
PC*34-718	3	11,175	63,584	71,812	74,804	80,789	392
PC*44-793	4	15,400	70,235	79,324	82,629	89,240	451
PC*44-882	4	15,100	78,081	88,186	91,860	99,209	480
PC*44-979	4	14,900	86,717	97,939	102,020	110,181	509

Our Application Engineers can help you design the system you need. Call us today, 562-944-1969, and we'll get you get the right LRC product for your project.

Replace "\*" with either E (for electric defrost) or H (for hot gas defrost) when ordering  
Hot Gas Connection - 1 fan = 7/8, 2 fans = 7/8, 3 fans = 7/8, 4 fans = 1 1/8

#### 6 Fins per Inch

Model No.	Fan Data		BTUH Capacity @ 10°F TD (R22, R404A)				Unit Weight (lbs) E/H Units
	QTY	CFM	-30°F ST	-20°F ST	-10°F ST	+10°F ST	
PC*16-126	1	3,900	11,189	12,637	13,164	14,217	133
PC*16-161	1	3,850	14,252	16,096	16,767	18,108	142
PC*16-194	1	3,800	17,200	19,426	20,235	21,854	151
PC*16-221	1	3,750	19,592	22,127	23,049	24,893	160
PC*16-245	1	3,675	21,683	24,489	25,509	27,550	168
PC*16-265	1	3,600	23,480	26,519	27,624	29,834	177
PC*26-326	2	7,700	28,888	32,627	33,986	36,705	234
PC*26-392	2	7,600	34,715	39,207	40,841	44,108	252
PC*26-448	2	7,500	39,708	44,847	46,716	50,453	270
PC*26-499	2	7,350	44,143	49,856	51,933	56,088	288
PC*26-540	2	7,200	47,829	54,019	56,270	60,771	306
PC*36-590	3	11,400	52,256	59,019	61,478	66,396	353
PC*36-680	3	11,250	60,200	67,991	70,824	76,490	380
PC*36-752	3	11,025	66,601	75,220	78,354	84,623	407
PC*36-815	3	10,800	72,158	81,496	84,892	91,683	434
PC*46-900	4	15,000	79,713	90,029	93,780	101,283	493
PC*46-992	4	14,700	87,867	99,238	103,373	111,643	528
PC*46-1071	4	14,400	94,833	107,106	111,569	120,494	564

Replace "\*" with either E (for electric defrost) or H (for hot gas defrost) when ordering  
Hot Gas Connection - 1 fan = 7/8, 2 fans = 7/8, 3 fans = 7/8, 4 fans = 1 1/8

# Cooler Units

Air (A), Electric (E), or Hot Gas (H) Defrost

## 4 Fins per Inch

Model No.	Fan Data		BTUH Capacity @ 25°F ST (R22, R404A)		Unit Weight (lbs)	
	QTY	CFM	10°F TD	12°F TD	A Units	E/H Units
PC*14-089	1	4,050	8,884	10,661	114	121
PC*14-129	1	4,000	12,937	15,524	122	129
PC*14-163	1	3,950	16,300	19,560	129	136
PC*14-192	1	3,900	19,185	23,022	136	143
PC*14-219	1	3,850	21,944	26,333	143	150
PC*14-247	1	3,775	24,672	29,606	150	157
PC*14-266	1	3,725	26,639	31,967	157	164
PC*24-332	2	7,900	33,174	39,809	210	220
PC*24-397	2	7,800	39,716	47,659	225	235
PC*24-452	2	7,700	45,210	54,252	239	249
PC*24-507	2	7,550	50,709	60,851	254	264
PC*24-542	2	7,450	54,244	65,093	268	278
PC*34-604	3	11,700	60,403	72,484	311	327
PC*34-685	3	11,550	68,487	82,184	332	349
PC*34-755	3	11,325	75,499	90,599	354	370
PC*34-817	3	11,175	81,692	98,030	376	392
PC*44-928	4	15,400	92,792	111,350	428	451
PC*44-100	4	15,100	100,541	120,649	457	480
PC*44-110	4	14,900	110,231	132,277	486	509

Replace "\*" with A (for air defrost), E (for electric defrost), or H (for hot gas defrost) when ordering  
Hot Gas Connection - 1 fan = 7/8, 2 fans = 7/8, 3 fans = 7/8, 4 fans = 1 1/8

## 6 Fins per Inch

Model No.	Fan Data		BTUH Capacity @ 25°F ST (R22, R404A)		Unit Weight (lbs)	
	QTY	CFM	10°F TD	12°F TD	A Units	E/H Units
PC*16-107	1	3,950	10,731	12,877	118	125
PC*16-153	1	3,900	15,348	18,418	126	133
PC*16-191	1	3,850	19,087	22,904	135	142
PC*16-225	1	3,800	22,486	26,983	144	151
PC*16-257	1	3,750	25,735	30,882	153	160
PC*16-282	1	3,675	28,185	33,822	161	168
PC*16-302	1	3,600	30,237	36,284	170	177
PC*26-390	2	7,700	38,982	46,778	224	234
PC*26-471	2	7,600	47,124	56,549	242	252
PC*26-540	2	7,500	54,021	64,825	260	270
PC*26-578	2	7,350	57,843	69,412	278	288
PC*26-622	2	7,200	62,192	74,630	296	306
PC*36-694	3	11,400	69,375	83,250	337	353
PC*36-800	3	11,250	80,029	96,035	364	380
PC*36-891	3	11,025	89,123	106,948	390	407
PC*36-950	3	10,800	95,042	114,050	417	434
PC*46-1057	4	15,000	105,724	126,869	470	493
PC*46-1166	4	14,700	116,626	139,951	505	528
PC*46-1254	4	14,400	125,384	150,461	541	564

Replace "\*" with A (for air defrost), E (for electric defrost), or H (for hot gas defrost) when ordering  
Hot Gas Connection - 1 fan = 7/8, 2 fans = 7/8, 3 fans = 7/8, 4 fans = 1 1/8

## 8 Fins per Inch

Model No.	Fan Data		BTUH Capacity @ 25°F ST (R22, R404A)		Unit Weight (lbs)	
	QTY	CFM	10°F TD	12°F TD	A Units	E/H Units
PC*18-172	1	3,925	17,179	20,615	131	138
PC*18-214	1	3,850	21,433	25,720	141	148
PC*18-258	1	3,725	25,785	30,942	152	159
PC*18-278	1	3,650	27,816	33,379	162	169
PC*18-301	1	3,575	30,126	36,151	173	180
PC*18-323	1	3,500	32,340	38,808	183	190
PC*28-367	2	7,850	36,668	44,002	217	227
PC*28-443	2	7,700	44,308	53,170	238	248
PC*28-537	2	7,450	53,677	64,412	260	270
PC*28-570	2	7,300	57,004	68,405	281	291
PC*28-618	2	7,150	61,811	74,173	303	313
PC*28-669	2	7,000	66,881	80,257	324	334
PC*38-780	3	11,175	77,958	93,550	363	379
PC*38-892	3	10,950	89,189	107,027	395	411
PC*38-974	3	10,725	97,414	116,897	427	443
PC*38-1023	3	10,500	102,323	122,788	459	475
PC*48-1109	4	14,900	110,853	133,024	469	492
PC*48-1150	4	14,600	115,026	138,031	511	534
PC*48-1251	4	14,300	125,146	150,175	554	577
PC*48-1353	4	14,000	135,306	162,367	596	619

Replace "\*" with A (for air defrost), E (for electric defrost), or H (for hot gas defrost) when ordering  
Hot Gas Connection - 1 fan = 7/8, 2 fans = 7/8, 3 fans = 7/8, 4 fans = 1 1/8

Visit [www.lrccoil.com](http://www.lrccoil.com) for details on additional PC features

- Installation and Maintenance data
- Wiring diagrams

Our Application Engineers can help you design the system you need. Call us today, 562-944-1969, and we'll get you the right LRC product for your project.

### OUR UNCONDITIONAL GUARANTEE

We're proud of the workmanship that goes into every LRC product. Because of our exacting design and manufacturing standards, and our thorough testing prior to shipping, we unconditionally guarantee our products to be free from manufacturing defects for one year. You can count on LRC Coil for quality heat transfer products.



At LRC, we are continuously working to improve our products, therefore, we reserve the right to make changes without notice.