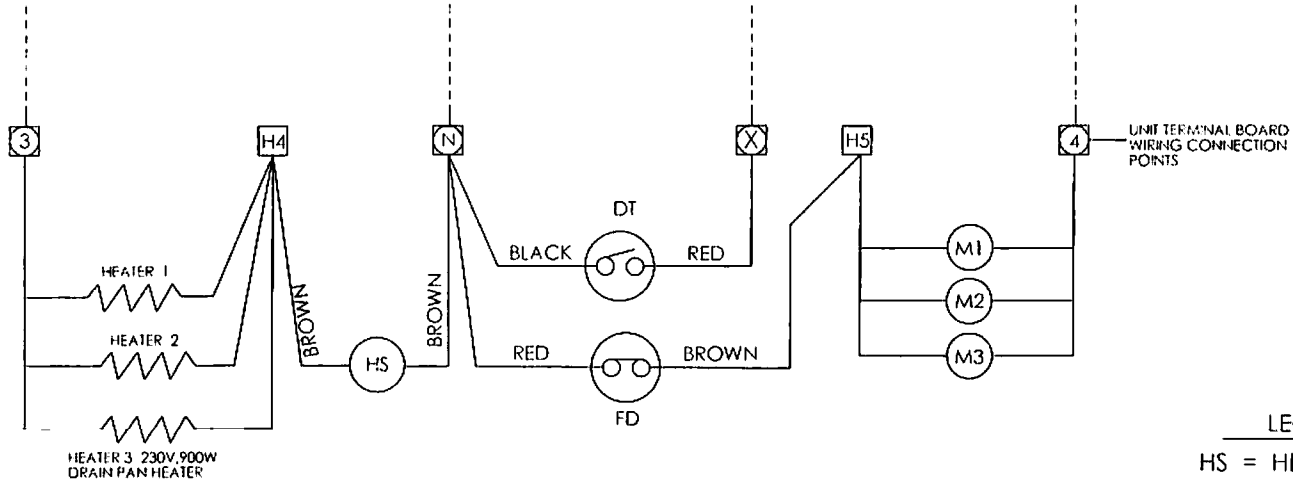


SEE RATING STICKER FOR HEATER AND MOTOR VOLTAGE AND AMPS



UNIT TERMINAL BOARD
WIRING CONNECTION
POINTS

LEGEND

- HS = HEATER SAFETY
- DT = DEFROST TERMINATION
- FD = FAN DELAY
- M1 = MOTORS 1,2,3...
- GRD = GROUND
- FACTORY WIRING —————
- FIELD WIRING - - - - -

	VOLTS	HP	PH	TOTAL FLA	MAX FUSE
FAN	230	1.1	1	3.3	15A
HEATER	230		1	12.2	

2. UNIT MUST GROUND
3. FOR MOTOR AMPS SEE RATING
STICKER ON OUTSIDE OF UNIT.

UNLESS OTHERWISE SPECIFIED
DIMENSIONS ARE IN INCHES
TOLERANCES ARE:
FRACTIONS DECIMALS ANGLES
.XX+.XX +.1
.XXX+.XXX

CAD GENERATED DRAWING.
DO NOT MANUALLY UPDATE

APPROVALS	DATE
DRAWN: BJ	9/7/2005
CHECKED:	
RESP ENG:	
MFG ENG:	
QUAL ENG:	

LRC COIL CO.

WIRING DIAGRAM FOR
SLE UNIT 230V/60/1
WITH DRAIN PAN HEATER

REV	DESCRIPTION	BY	DATE
A	INITIAL RELEASE	BJ	9/7/2005

NEXT ASSY	USED ON

MATERIAL XX
FRISH -
APPLICATION
DO NOT SCALE DRAWING

SIZE	DWG. NO.	REV
A	15194-06	A

THE INFORMATION CONTAINED IN THIS DRAWING IS THE SOLE PROPERTY OF
LRC COIL CO. ANY REPRODUCTION IN PART OR WHOLE WITHOUT
THE WRITTEN PERMISSION OF LRC COIL CO. IS PROHIBITED.