



SLPA, SLPE SERIES UNITS SPARE PARTS LISTING

General Notes:

Always replace parts using LRC Coil parts for maximum life from the unit.

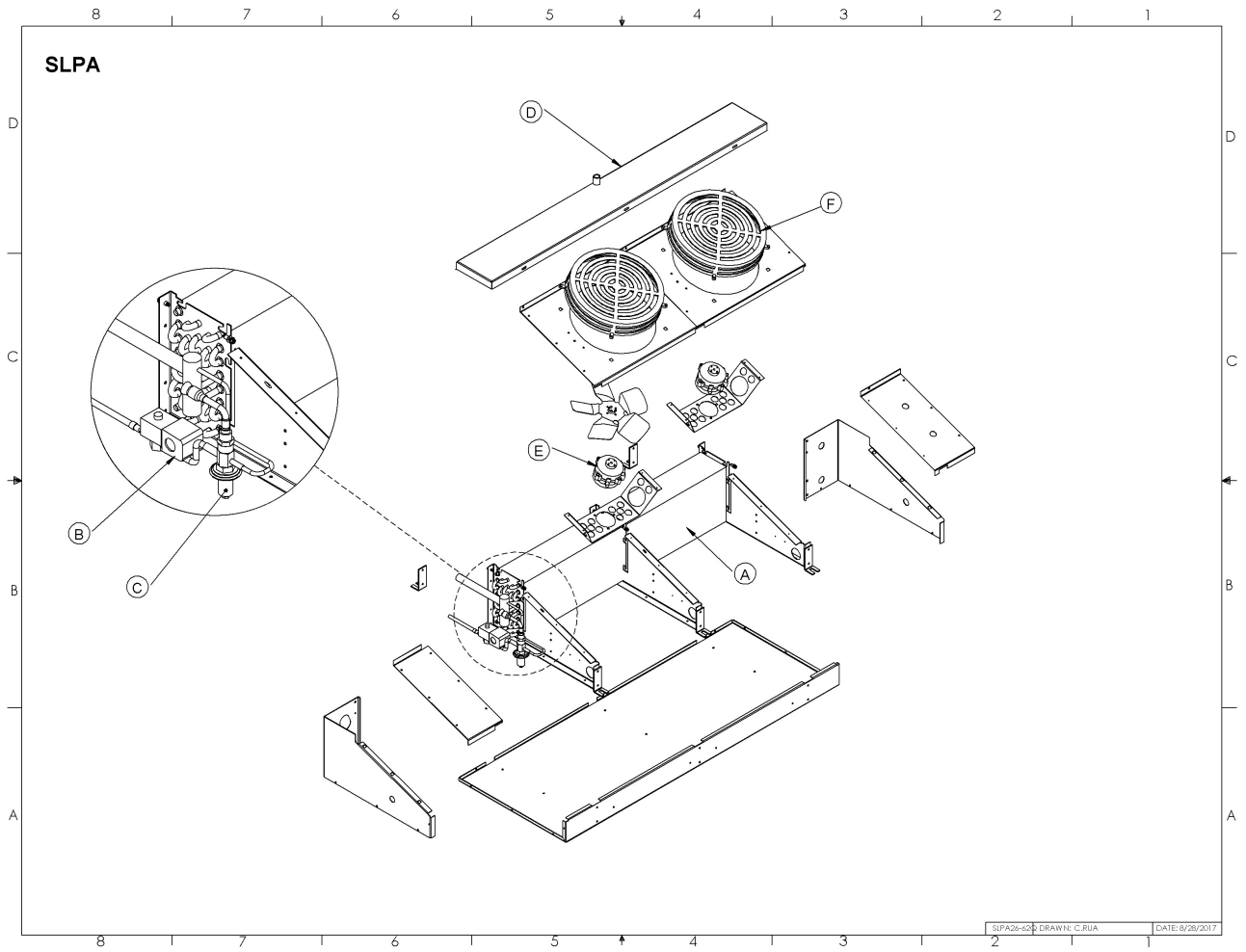
**DISCONNECT POWER BEFORE SERVICING UNIT OR INJURY
MAY RESULT**

Interpreting Serial Numbers

LRC Coil serial numbers are arranged with a unique serial number and date code.

#####-YYMM

- unique serial number
YYMM – Year Month of manufacture



Model	Part Description	PN	Comment
A	Coil Assembly	N/A	Not recommended to change coil only.
B	LLSV		
	Coil - 24VAC	3130	Alco
	Coil - 120VAC	2760	Alco
	Coil - 240VAC	2761	Alco
	Valve	2351	Alco
C	AXV (Quiet Units Only)	3628	AXV externally equalized.
	Regular TXV's – Consult Refrigeration Wholesaler		
D	Drain Pan		
	SLPA Series – 1 Fan	No units in this config	No units in this config.
	2 Fan	17376-00	
	3 Fan	17264-00	
	4 Fan	17377-00	
	5 Fan	17378-00	
	6 Fan	17379-00	
E	Motor		
	120VAC – EC Motor	3707	Must specify Q or Regular model for rpm
	230VAC – EC Motor	3708	Must specify Q or Regular model for rpm
F	Fan Guard - Plastic	3088	
	Fan Guard – White Wire	1037	No longer available
G	Fan Blade		
	Q (Wine) Series Models -	3100 2295 – Rev Airflow	
	Regular - Refrigeration	3100	
G	Defrost Heaters – Post 2001		
	1 Fan	No unit in this config	No unit in this config

	2 Fan	2220	2 per unit located in Pan, Center of Coil, 39", 950W, 230VAC
	3 Fan	2251	2 per unit located in Pan, Center of Coil, 1025W, 56", 230VAC
	4 Fan	2222	2 per unit located in Pan, Center of Coil, 1750W, 73", 230VAC
	5 Fan	2223	2 per unit located in Pan, Center of Coil, 2050W, 90", 230VAC
	6 Fan	2050	2 per unit located in Pan, Center of Coil, 2050W, 107", 230VAC
H	Defrost Control	2306 – Fan Delay	Brown/Red wires, open @45, Close @35
		2305 – Defrost Termination	Black/Red wires, Open @ 30, Close @ 50 +/-5
		2166 – Heater Safety	Heater Safety Switch, 14T21 30313