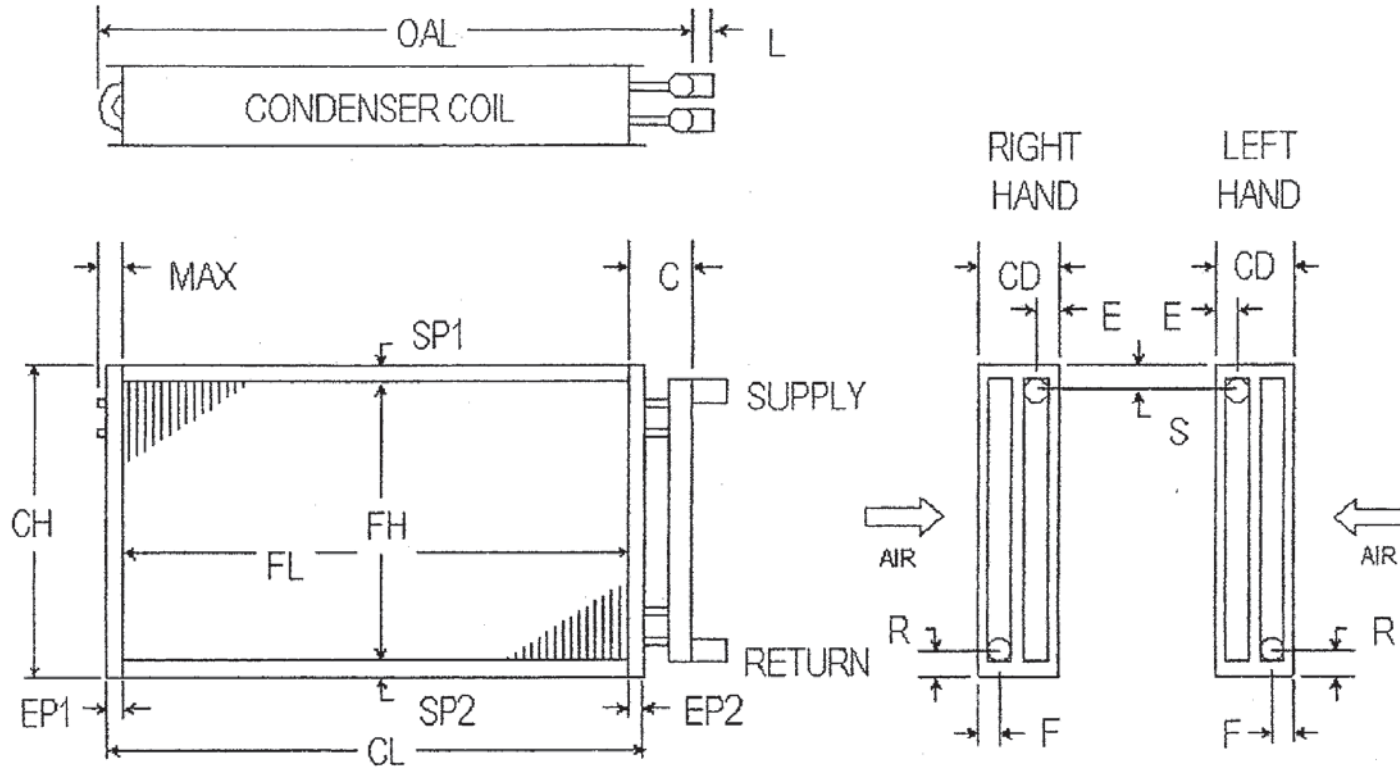


Condenser Coils



Rows	
FPI	
Tubes OD & Wall Thickness Copper Only	
Fins Material & Thickness	
Casing Material & Thickness	
Headers Ø Diameter Copper Only	

Dimensional Data (In Inches)

Item	Qty	Rows	FPI	SP1	FH	SP2	CH	EP1	FL	EP2	CL	Max	C	OAL	L	CD	Supply		Return		Connection Sizes Sweat		CU
																	S	E	R	F	Supply	Return	

P.O. #		Customer		Notes
W.O. #		Model No.		
Approved By		Tag:		
Date		Notes		

Performance Data	CFM		EAT		Evaporator Temp		Refrigerant		Capacity	
------------------	-----	--	-----	--	-----------------	--	-------------	--	----------	--