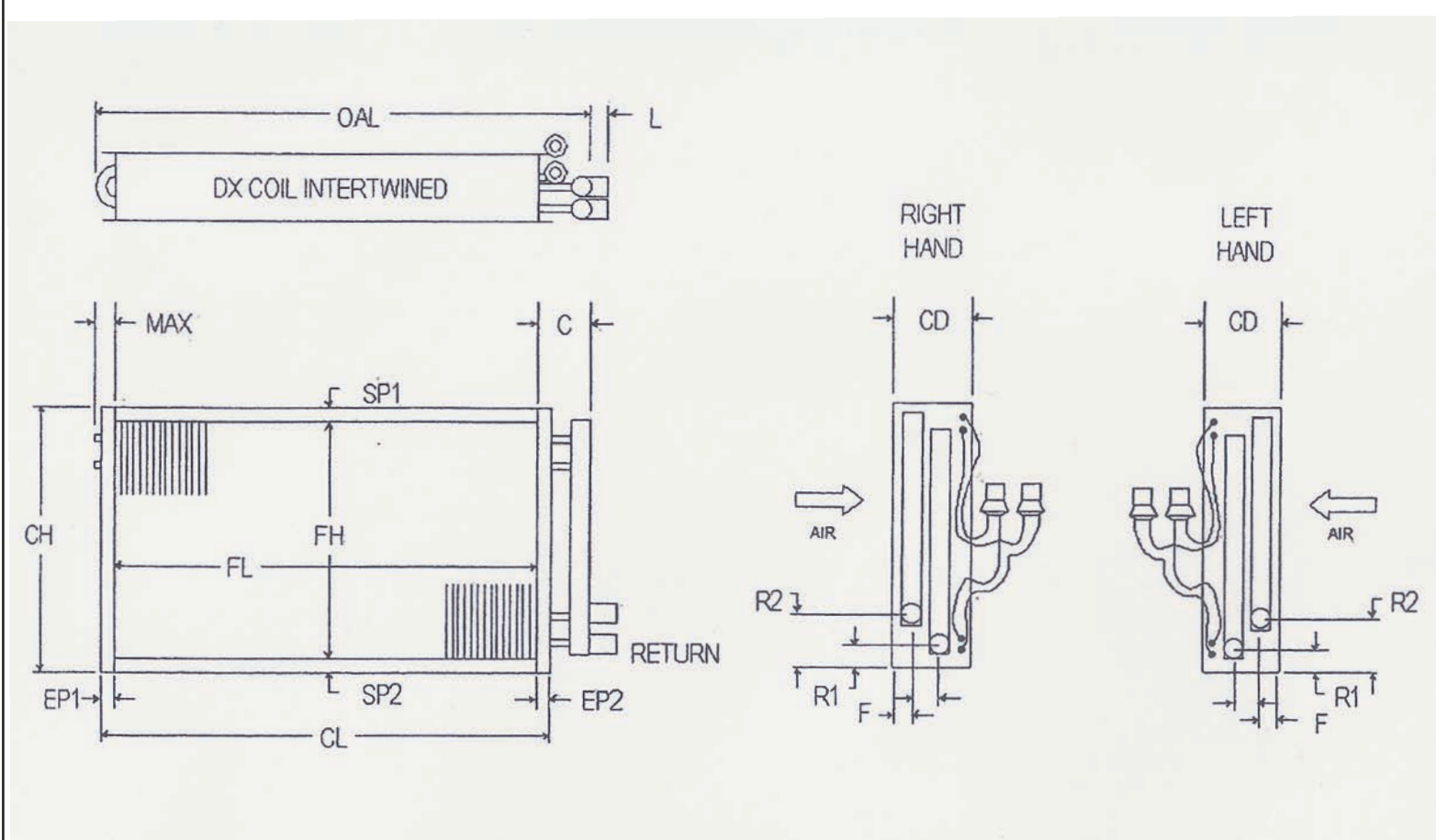




DX Coils Intertwined



Rows	
FPI	
Tubes OD & Wall Thickness Copper Only	
Fins Material & Thickness	
Casing Material & Thickness	
Headers Ø Diameter Copper Only	

Dimensional Data (In Inches)

Return

**Connection Sizes
Sweat**

Item	Qty	Rows	FPI	SP1	FH	SP2	CH	EP1	FL	EP2	CL	Max	C	OAL	L	CD	R	F	Distributors	Return	CU

P.O. #		Customer		Notes
W.O. #		Model No.		
Approved By		Tag:		
Date		Notes		

Performance Data	CFM	EAT	Evaporator Temp	Refrigerant	Capacity
------------------	-----	-----	-----------------	-------------	----------