

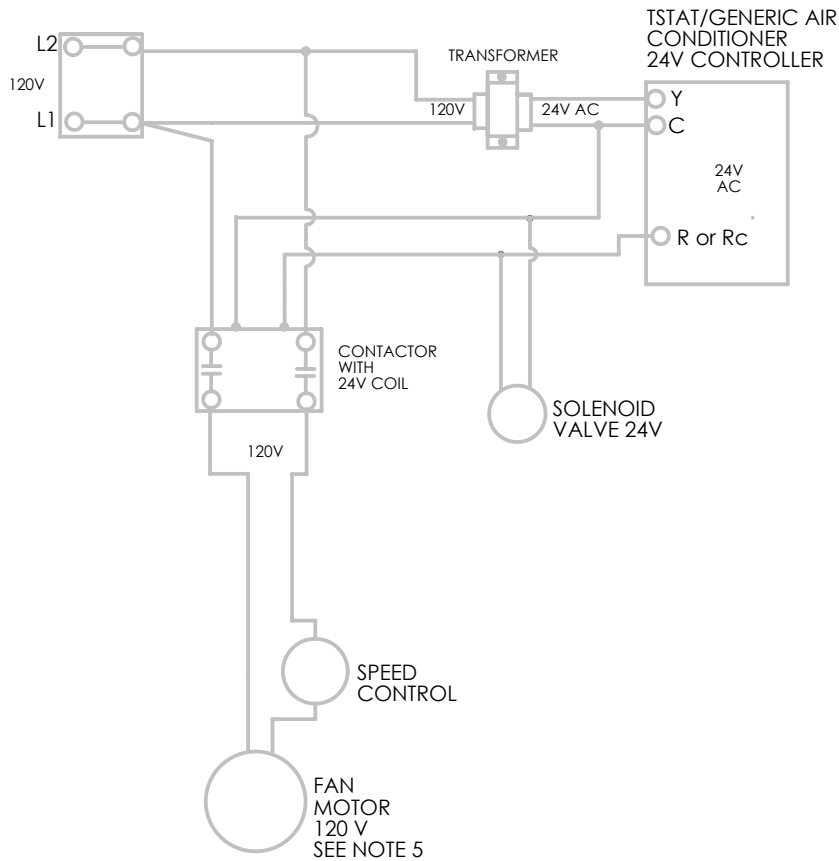
120V MOTORS 120V SOLENOID

NOTES:

1. LRC RECOMMENDS CYCLING SOLENOID VALVE WITH MOTOR
2. USE COPPER CONDUCTORS ONLY
3. UNIT MUST BE GROUNDED
4. FOR MOTOR AMPS SEE RATING STICKER ON OUTSIDE OF UNIT
5. DO NOT USE THIS DIAGRAM TO WIRE MOTOR. EACH MOTOR WILL BE WIRED DIFFERENTLY ACCORDING TO WIRING DIAGRAM FOUND ON EVAPORATOR COIL

THE INFORMATION CONTAINED IN THIS DRAWING IS THE SOLE PROPERTY OF LRC COIL CO. ANY REPRODUCTION IN PART OR WHOLE WITHOUT THE WRITTEN PERMISSION OF LRC COIL CO. IS PROHIBITED.

		UNLESS OTHERWISE SPECIFIED DIMENSIONS ARE IN INCHES TOLERANCES ARE: FRACTIONS .XX+ .XX -1 DECIMALS .XXX+ .XXX ANGLES + 1		CAD GENERATED DRAWING, DO NOT MANUALLY UPDATE		LRC COIL CO.					
		MATERIAL XX		APPROVALS				WINE ROOM EVAPORATOR WIRING DIAGRAM FOR PUMP DOWN SYSTEM USING 24V CONTROLLER			
		FINISH --		DATE		SIZE DWG. NO. WINE EVAP WIRE REV. A					
		NEXT ASSY USED ON		DRAWN GA 4/13/2012						SCALE CAD FILE: SHEET OF	
		APPLICATION		CHECKED							
				MFG ENG							
				DO NOT SCALE DRAWING							



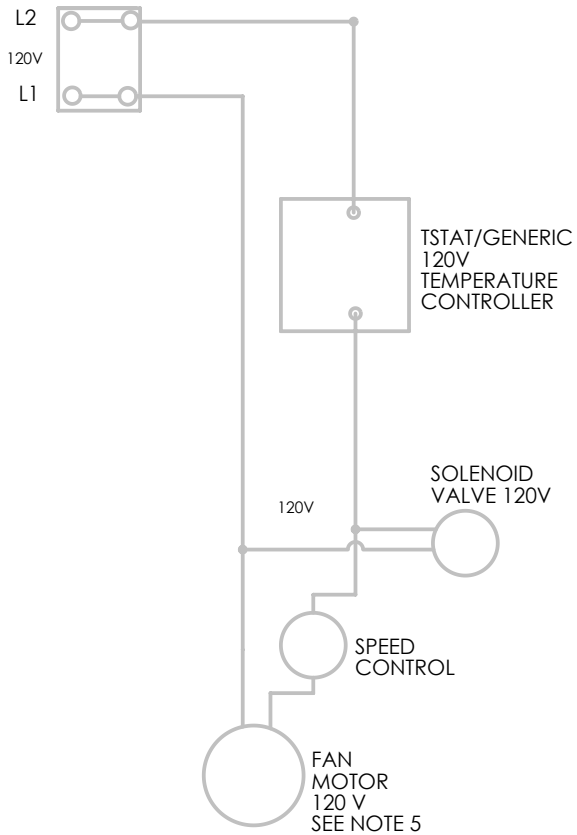
120V MOTORS 24V SOLENOID

NOTES:

1. LRC RECOMMENDS CYCLING SOLENOID VALVE WITH MOTOR
2. USE COPPER CONDUCTORS ONLY
3. UNIT MUST BE GROUNDED
4. FOR MOTOR AMPS SEE RATING STICKER ON OUTSIDE OF UNIT
5. DO NOT USE THIS DIAGRAM TO WIRE MOTOR. EACH MOTOR WILL BE WIRED DIFFERENTLY ACCORDING TO WIRING DIAGRAM FOUND ON EVAPORATOR COIL

THE INFORMATION CONTAINED IN THIS DRAWING IS THE SOLE PROPERTY OF LRC COIL CO. ANY REPRODUCTION IN PART OR WHOLE WITHOUT THE WRITTEN PERMISSION OF LRC COIL CO. IS PROHIBITED.

		UNLESS OTHERWISE SPECIFIED DIMENSIONS ARE IN INCHES TOLERANCES ARE: FRACTIONS .XX+ .XX ANGLES + 1 .XXX+.XXX		CAD GENERATED DRAWING, DO NOT MANUALLY UPDATE		LRC COIL CO.			
		MATERIAL XX		APPROVALS DATE					
		FINISH --		DRAWN GA 4/13/2012		WINE ROOM EVAPORATOR WIRING DIAGRAM FOR PUMP DOWN SYSTEM USING 24V CONTROLLER			
NEXT ASSY USED ON				CHECKED				RESP ENG	
APPLICATION		DO NOT SCALE DRAWING		MFG ENG				SIZE DWG. NO. WINE EVAP WIRE REV. A	
				QUAL ENG				SCALE CAD FILE: SHEET OF	



120V MOTORS 120V SOLENOID

NOTES:

1. LRC RECOMMENDS CYCLING SOLENOID VALVE WITH MOTOR
2. USE COPPER CONDUCTORS ONLY
3. UNIT MUST BE GROUNDED
4. FOR MOTOR AMPS SEE RATING STICKER ON OUTSIDE OF UNIT
5. DO NOT USE THIS DIAGRAM TO WIRE MOTOR. EACH MOTOR WILL BE WIRED DIFFERENTLY ACCORDING TO WIRING DIAGRAM FOUND ON EVAPORATOR COIL

THE INFORMATION CONTAINED IN THIS DRAWING IS THE SOLE PROPERTY OF LRC COIL CO. ANY REPRODUCTION IN PART OR WHOLE WITHOUT THE WRITTEN PERMISSION OF LRC COIL CO. IS PROHIBITED.

NEXT ASSY	USED ON
APPLICATION	

UNLESS OTHERWISE SPECIFIED DIMENSIONS ARE IN INCHES TOLERANCES ARE: FRACTIONS DECIMALS ANGLES + .XX+ .XX + 1 .XXX+.XXX		
MATERIAL	XX	
FINISH	--	
DO NOT SCALE DRAWING		

CAD GENERATED DRAWING, DO NOT MANUALLY UPDATE	
APPROVALS	DATE
DRAWN GA	4/13/2012
CHECKED	
RESP ENG	
MFG ENG	
QUAL ENG	

LRC COIL CO.			
WINE ROOM EVAPORATOR WIRING DIAGRAM FOR PUMP DOWN SYSTEM USING 120V CONTROLLER			
SIZE A	DWG. NO.	WINE EVAP WIRE	REV. A
SCALE	CAD FILE:	SHEET	OF