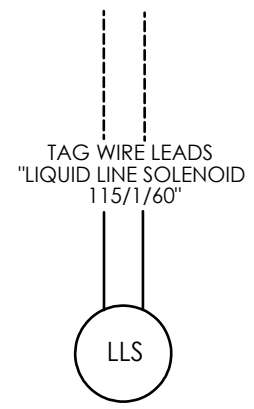
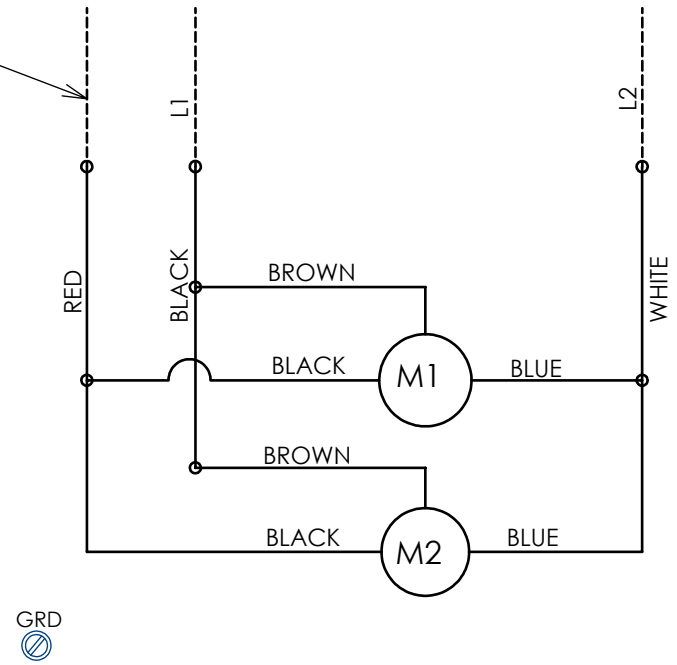


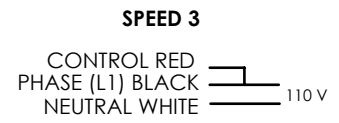
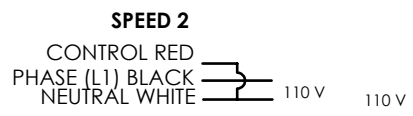
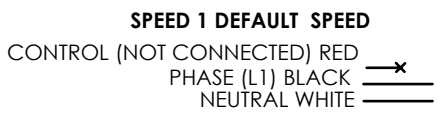
CONTROL WIRE FOR 3 SPEED OPERATION
DO NOT CONNECT FOR STANDARD WINE ROOM APPLICATION

NOTE: UP TO SIX MOTORS CAN BE CONNECTED IN PARALLEL



LEGEND
M1 = MOTORS 1,2
GRD = GROUND
FACTORY WIRING —————
FIELD WIRING - - - - -

1. USE COPPER CONDUCTORS ONLY
2. UNIT MUST GROUND
3. FOR MOTOR AMPS SEE RATING STICKER ON OUTSIDE OF UNIT.



UNLESS OTHERWISE SPECIFIED DIMENSIONS ARE IN INCHES TOLERANCES ARE: FRACTIONS DECIMALS ANGLES + .XX+ .XX + 1 .XXX+.XXX		CAD GENERATED DRAWING, DO NOT MANUALLY UPDATE		LRC COIL CO.	
MATERIAL XX		APPROVALS	DATE		
FINISH --		DRAWN SV	3/26/14	WIRING DIAGRAM LPA --Q UNITS SLPA-- Q UNITS	
NEXT ASSY USED ON		CHECKED			
APPLICATION		RESP ENG		SIZE A	DWG. NO. ES-LP
DO NOT SCALE DRAWING		MFG ENG		SCALE	CAD FILE:
		QUAL ENG		SHEET	OF

THE INFORMATION CONTAINED IN THIS DRAWING IS THE SOLE PROPERTY OF LRC COIL CO. ANY REPRODUCTION IN PART OR WHOLE WITHOUT THE WRITTEN PERMISSION OF LRC COIL CO. IS PROHIBITED.