



## **HS SPARE PARTS LISTING**

### **General Notes:**

**Always replace parts using LRC Coil parts for maximum life from the unit.**

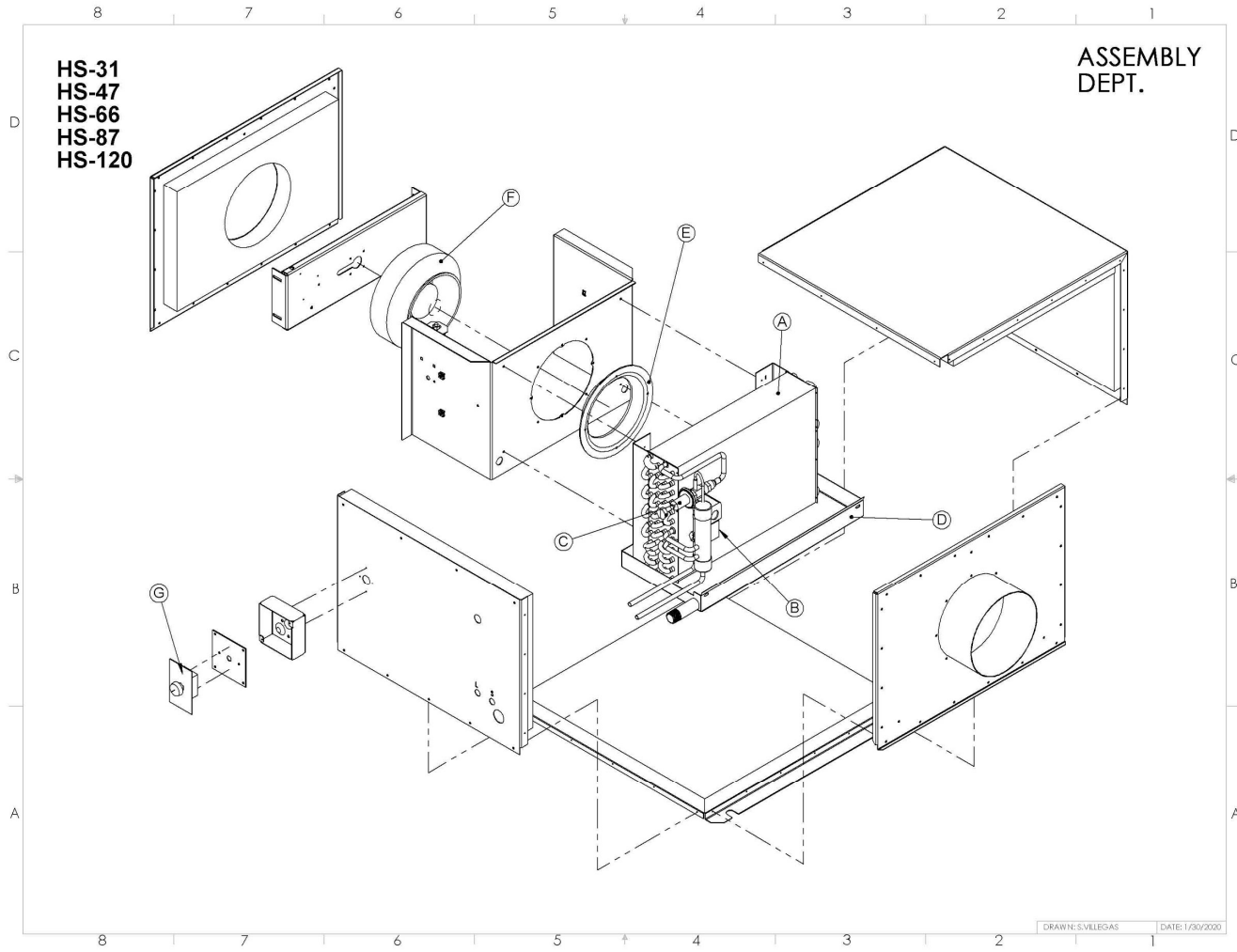
**DISCONNECT POWER BEFORE SERVICING UNIT OR INJURY MAY RESULT**

### **Interpreting Serial Numbers**

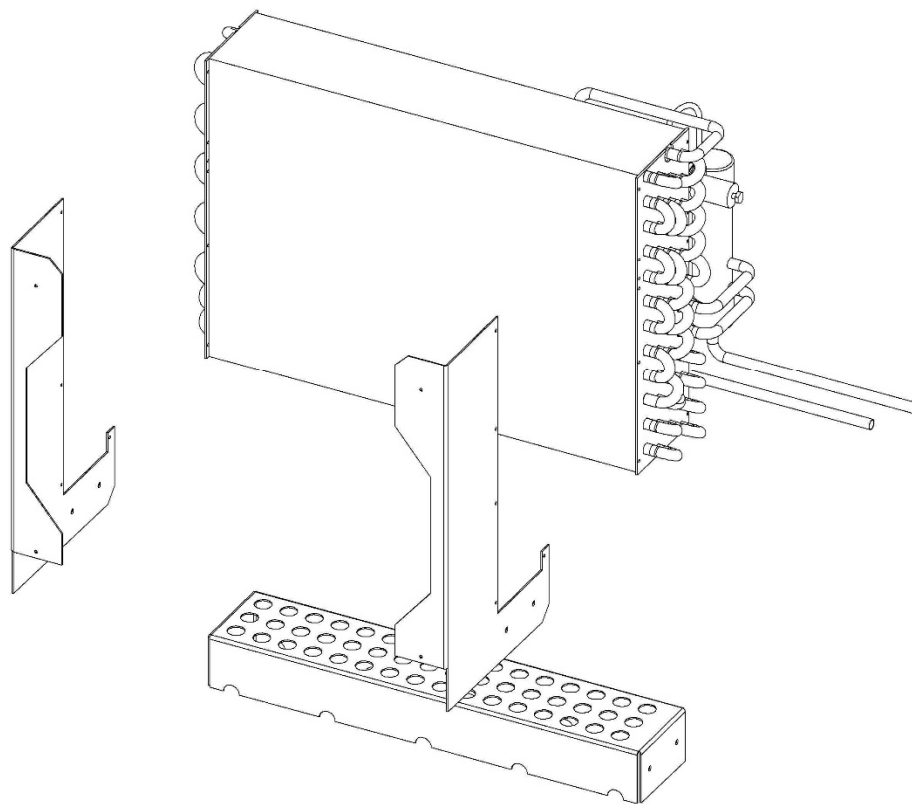
LRC Coil serial numbers are arranged with a unique serial number and date code.

#####-YYMM

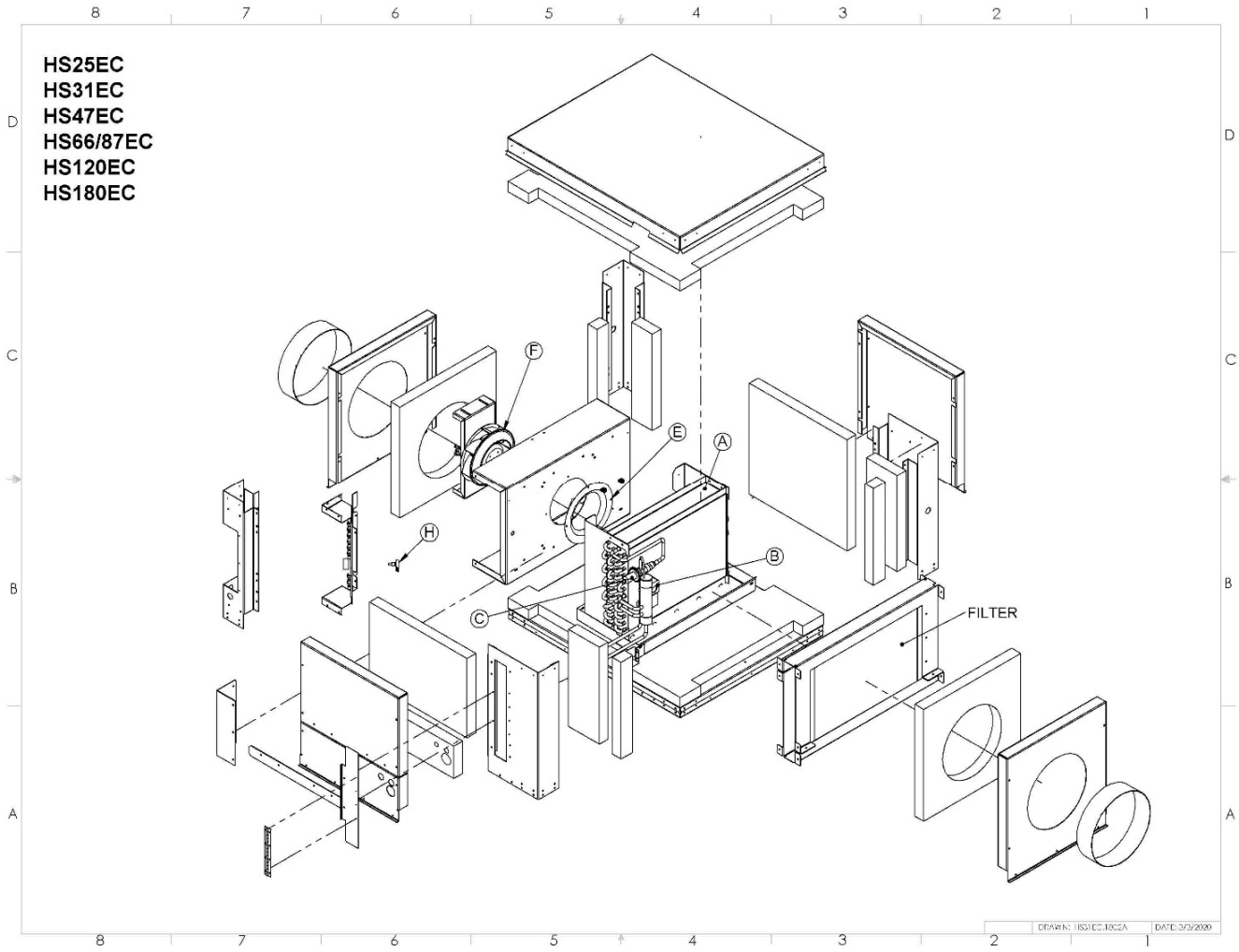
##### - unique serial number  
YYMM – Year Month of manufacture



**Std unit**



HS EC coil after feb 2020 with attachments



EC before feb 2020

Model	Part Description	Part Number		Comment
<b>HS-25</b>	A-Coil Assy-includes coil, coating, AXV, LLSV	Coil Only (brazing Only)	Coil Only + Sheet Metal Attachments	Coil assy is coated, w/ AXV, LLSV, Not coated pre-2009, New endplate Style after july 2018
		26565-20 (std)	26565-50 (std)	
		N/A	26407-10 (EC) before Feb 01 2020	
		26565-20 (EC) after Feb 01 2020	26892-20 (EC) after feb 2020	
	B-LLSV-Sol+Valve (120vac coil)	2351 + 2760		Recommended to replace both
	B(optional) -LLSV-Sol+Valve (24vac coil)	2351+3130		Recommended to replace both
	C-AXV	2 Port - 2847		Pre late 2014 – verify config.
		3 Port - 3628		Recommended
	D-Drain Pan	21156-01 26407-16 (EC)		Stainless Steel
	E-Inlet Ring	Part of Impeller Kit		Replace as part of set
	F-Impeller	2274-kit (120V, PSC) 3414-kit (230V, PSC) 4074 (120V, ECM)		Impeller, ring and capacitor
	G-Speed Ctrl	2953 (120V) 3653 (230V)		2.5 Amp (do not use on EC models)
	H – POT (EC ONLY)	4248 4249		POT + KNOB

<b>Model</b>	<b>Part Description</b>	<b>Part Number</b>		<b>Comment</b>
<b>HS-31</b>	A-Coil Assy-includes coil, coating, AXV, LLSV	Coil Only (brazing Only)	Coil Only + Sheet Metal Attachments	Coil assy is coated, w/ AXV, LLSV, Not coated pre-2009
		26594-00 (std)	26594-65 (std)	
		N/A	26408-20 (EC) before feb 2020	
		26594-60 (EC) after feb 2020	26893-20 (EC) after feb 2020	
	B-LLSV-Sol+Valve (120vac coil)	2351 + 2760		Recommended to replace both
	B(optional) -LLSV-Sol+Valve (24vac coil)	2351+3130		Recommended to replace both
	C-AXV	2 Port - 2847		Pre late 2014 – verify config.
		3 Port - 3628		Recommended
	D-Drain Pan	20993-00 26408-10 (EC)		Stainless Steel
E-Inlet Ring	Part of Impeller Kit		Replace as part of set	
F-Impeller	2848-kit (120V, PSC) 3414-kit (230V, PSC) 4074 (120V, ECM)		Impeller, ring and capacitor	
G-Speed Ctrl	2953 (120V) 3653 (230V)		2.5 Amp (not for EC) (do not use on EC models)	
H – POT (EC ONLY)	4248 4249		POT + KNOB	

Model	Part Description	PN		Comment
<b>HS-47</b>	A-Coil Assy-includes coil, coating, AXV, LLSV	Coil Only (brazing Only)	Coil Only + Sheet Metal Attachments	Coil assy is coated, w/ AXV, LLSV, Not coated pre-2009
		26600-60 (std)	26600-65	
		n/a	26410-10 (EC) bef. Feb 2020	
		26600-60 (EC) after feb 2020	26893-20 (EC) after feb 2020	
	B-LLSV-Sol+Valve (120vac coil)	2351 + 2760		Recommended to replace both
	B(optional) -LLSV-Sol+Valve (24vac coil)	2351+3130		Recommended to replace both
	C-AXV	3 Port - 3628		Recommended
	D-Drain Pan	20993-00 26410-06 (EC)		Stainless Steel
	E-Inlet Ring	Part of Impeller Kit		Replace as part of set
F-Impeller	2848-kit (120V, PSC) 3414-kit (230V, PSC) 4074 (120V, ECM)		Impeller, ring and capacitor	
G-Speed Ctrl	2953 (120V) 3653 (230V)		2.5 Amp (do not use on EC models)	
H – POT (EC ONLY)	4248 4249		POT + KNOB	

Model	Part Description	Part Number		Comment
<b>HS-66</b>	A-Coil Assy-includes coil, coating, AXV, LLSV	Coil Only (brazing Only)	Coil Only + Sheet Metal Attachments	Coil assy is coated, w/ AXV, LLSV, Not coated pre-2009
		26599-20 (std)	26599-25 (std)	
		n/a	26411-20 (EC) bef. Feb 2020	
		26599-20 (EC) after feb 2020	26908-20 (EC) after feb 2020	
	B-LLSV-Sol+Valve (120vac coil)	2351 + 2760		Recommended to replace both
	B(optional) -LLSV-Sol+Valve (24vac coil)	2351+3130		Recommended to replace both
	C-AXV	3 Port - 3628		Recommended
	D-Drain Pan	20992-00 26411-10 (EC)		Stainless Steel
	E-Inlet Ring	Part of Impeller Kit		Replace as part of set
F-Impeller	2841-kit (120V, PSC) 3744- kit (230V, PSC) 4075-kit (120V, ECM)		Impeller, ring and capacitor	
G-Speed Ctrl	3653 (120 V) 3694 (230V)		5.0 Amp (do not use on EC models)	
H – POT (EC ONLY)	4248 4249		POT + KNOB	



Model	Part Description	PN		Comment
<b>HS-87</b>	A-Coil Assy-includes coil, coating, AXV, LLSV	Coil Only (brazing Only)	Coil Only + Sheet Metal Attachments	Coil assy is coated, w/ AXV, LLSV, Not coated pre-2009
		26599-20 (std)	26599-25 (std)	
		n/a	26411-20 (EC) bef. Feb 2020	
		26599-20 (EC) after feb 2020	26908-20 (EC) after feb 2020	
	B-LLSV-Sol+Valve (120vac coil)	2351 + 2760		Recommended to replace both
	B(optional) -LLSV-Sol+Valve (24vac coil)	2351+3130		Recommended to replace both
	C-AXV	3 Port - 3628		Recommended
	D-Drain Pan	20992-00 26411-10 (EC)		Stainless Steel
	E-Inlet Ring	Part of Impeller Kit		Replace as part of set
	F-Impeller	2841-kit 4075 EC		Impeller, ring and capacitor
	G-Speed Ctrl	3653		5.0 Amp do not use on EC
	H – POT (EC ONLY)	4248 4249		POT + KNOB

<b>Model</b>	<b>Part Description</b>	<b>Part Number</b>		<b>Comment</b>
<b>HS-120</b>	A-Coil Assy-includes coil, coating, AXV, LLSV	Coil Only (brazing Only)	Coil Only + Sheet Metal Attachments	Coil assy is coated, w/ AXV, LLSV, Not coated pre-2009, verify coil height
		n/a	21189-00 (pre 2011 – 22” tall)	
		21189-03 (2011 and later – 23” tall) Std	26979-10	
		n/a	26413-10 (EC) before feb 2020	
		21189-03 (EC) after feb 2020	26906-20 (EC) after feb 2020	
	B-LLSV-Sol+Valve (120vac coil)	2351 + 2760		Recommended to replace both
	B(optional) -LLSV-Sol+Valve (24vac coil)	2351+3130		Recommended to replace both
	C-AXV	3 Port - 3628		Recommended
	D-Drain Pan	21221-00		Pre-1/2015, Aluminum w/ coating
		21200-01 26413-40 (EC)		Post-1/2015, Aluminum w/ coating Now stainless Steel
	E-Inlet Ring	Part of Impeller Kit		Replace as part of set
	F-Impeller	2842-kit (120V) 4076-kit (120V ECM)		Impeller, ring and capacitor
	G-Speed Ctrl	3653		5.0 Amp do not use on EC
H – POT (EC ONLY)	4248 4249		POT + KNOB	

<b>HS-180EC</b>	A-Coil Assy-includes coil, coating, AXV, LLSV	<b>26321-10 (EC) before feb 2020</b> <b>26897-10 (EC) after feb 2020</b>	Coil assy is coated, w/ AXV, LLSV,
	B-LLSV-Sol+Valve (120vac coil)	2351 + 2760	Recommended to replace both
	B(optional) -LLSV-Sol+Valve (24vac coil)	2351+3130	Recommended to replace both
	C-AXV	3 Port - 3628	Recommended
	D-Drain Pan	26321-09	Stainless Steel
	E-Inlet Ring	Part of Impeller Kit	Replace as part of set
	F-Impeller	4116-kit (230V ECM)	Impeller, ring and capacitor
	G-Speed Ctrl	N/A	Not used
	H – POT (EC ONLY)	4248 4249	POT + KNOB