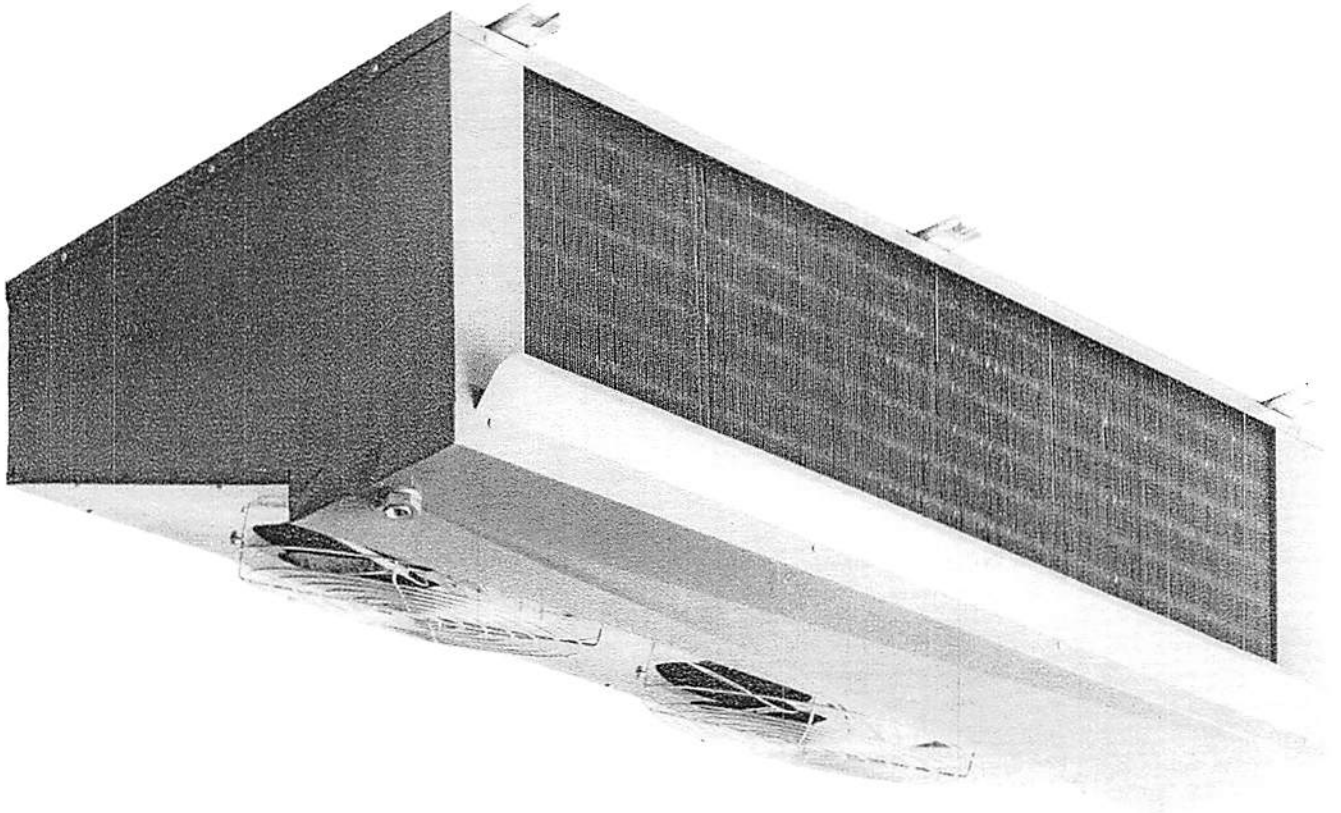


BACK BLOWER



FOR WALK-INS & REACH IN BOXES

- ★ Heavy Galvanized Housing with a Baked Enamel Finish.
- ★ Heavy Duty Motors with overload protection.
- ★ Staggered Tube Pattern for better operation.

L. R. Corporation [Lanphere]

Manufacturers of Commercial Refrigeration & Air Conditioning Heat Transfer Equipment

FACTORY and OFFICES

Huntington Park, California



Phone 583-3187

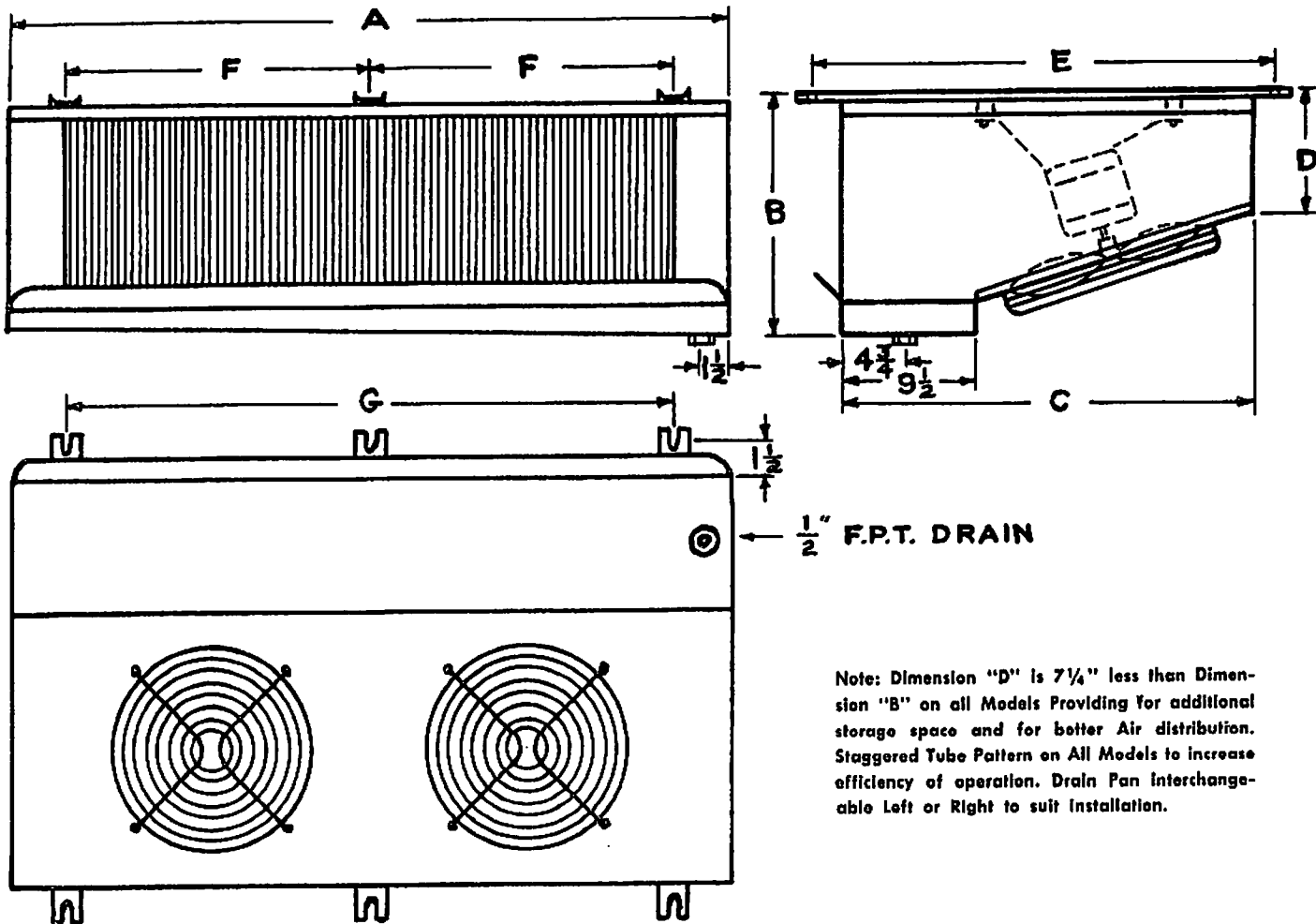
Capacities B.T.U. Rating For Above 33° F.

MODEL	B.T.U. 1° T.D.	B.T.U. 10° T.D.	B.T.U. 15° T.D.	MOTOR	FAN	C.F.M.	APPROX. AIRTHROW	LIQUID	SUCTION
B1410	1410	14100	21150	2-1/12	2-14" 15	2080	34'	1/2" Tube	7/8
B1587	1587	15870	23805	2-1/12	2-14" 23	2340	36'	1/2" Tube	7/8
B1764	1764	17640	26460	2-1/12	2-14" 27	2590	37'	3/4" Tube	1 1/8
B2115	2115	21150	31725	2-1/6	2-14" 27	2310	34'	3/4" Tube	1 1/8
B2380	2380	23800	35700	2-1/6	2-16" 19	2600	36'	3/4" Tube	1 1/8
B2645	2645	26450	39675	2-1/6	2-16" 19	2880	37'	3/4" Tube	1 1/8
B3218	3218	32180	48270	2-1/6	2-16" 23	3500	42'	3/4" Tube	1 3/8
B3863	3863	38630	57945	3-1/6	3-16" 19	4180	46'	3/4" Tube	1 3/8
B4202	4202	42020	63030	3-1/6	3-16" 23	4520	48'	3/4" Tube	1 3/8

All Models Require External Equalizer Type Valve

MODEL	DIM. A	DIM. B	DIM. C	DIM. D	DIM. E	DIM. F	DIM. G
B1410	53	16 1/2	28 1/2	9 1/4	31 1/2	23 1/2	47
B1587	53	18 1/4	28 1/2	11	31 1/2	23 1/2	47
B1764	53	20	28 1/2	12 3/4	31 1/2	23 1/2	47
B2115	53	16 1/2	28 1/2	9 1/4	31 1/2	23 1/2	47
B2380	53	18 1/4	28 1/2	11	31 1/2	23 1/2	47
B2645	53	20	28 1/2	12 3/4	31 1/2	23 1/2	47
B3218	64	20 1/2	30	13 1/4	33	28 1/2	57
B3863	64	24	30	16 3/4	33	28 1/2	57
B4202	64	25 3/4	30	18 1/2	33	28 1/2	57

Note: Specify for 115 or 230 volt Motors when ordering.



Note: Dimension "D" is 7 1/4" less than Dimension "B" on all Models Providing for additional storage space and for better Air distribution. Staggered Tube Pattern on All Models to increase efficiency of operation. Drain Pan interchangeable Left or Right to suit Installation.