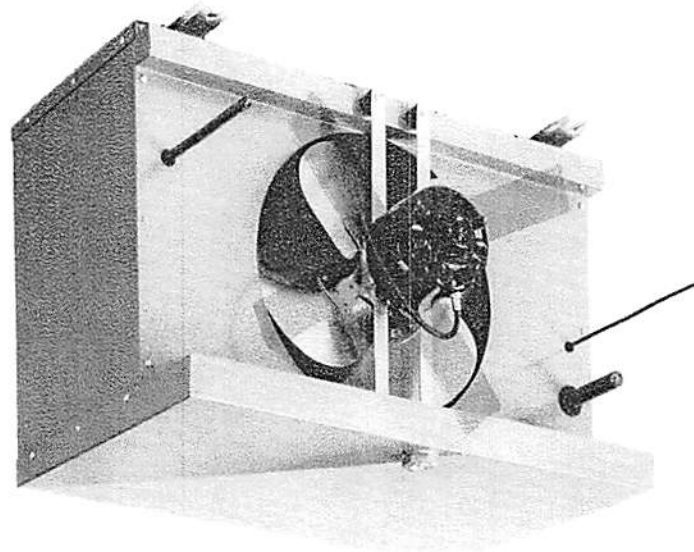
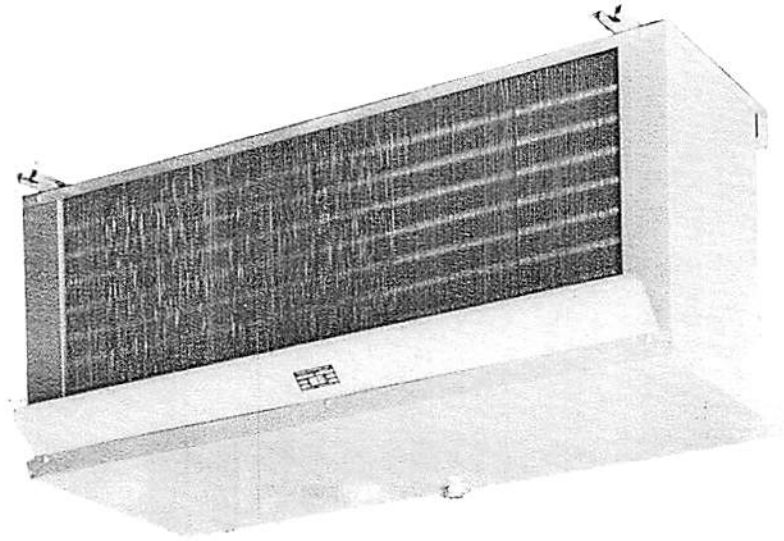


STRAIGHT THRU BLOWER



FOR WALK-INS & REACH IN BOXES

★ Heavy Galvanized Housing with a Baked Enamel Finish.

★ Heavy Duty Motors with overload protection.

★ Staggered Tube Pattern for better operation.

L. R. Corporation [Lanphere]

Manufacturers of Commercial Refrigeration and Air Conditioning Heat Transfer Equipment

FACTORY and OFFICES

Huntington Park, California



Phone LUdlow 3-3187

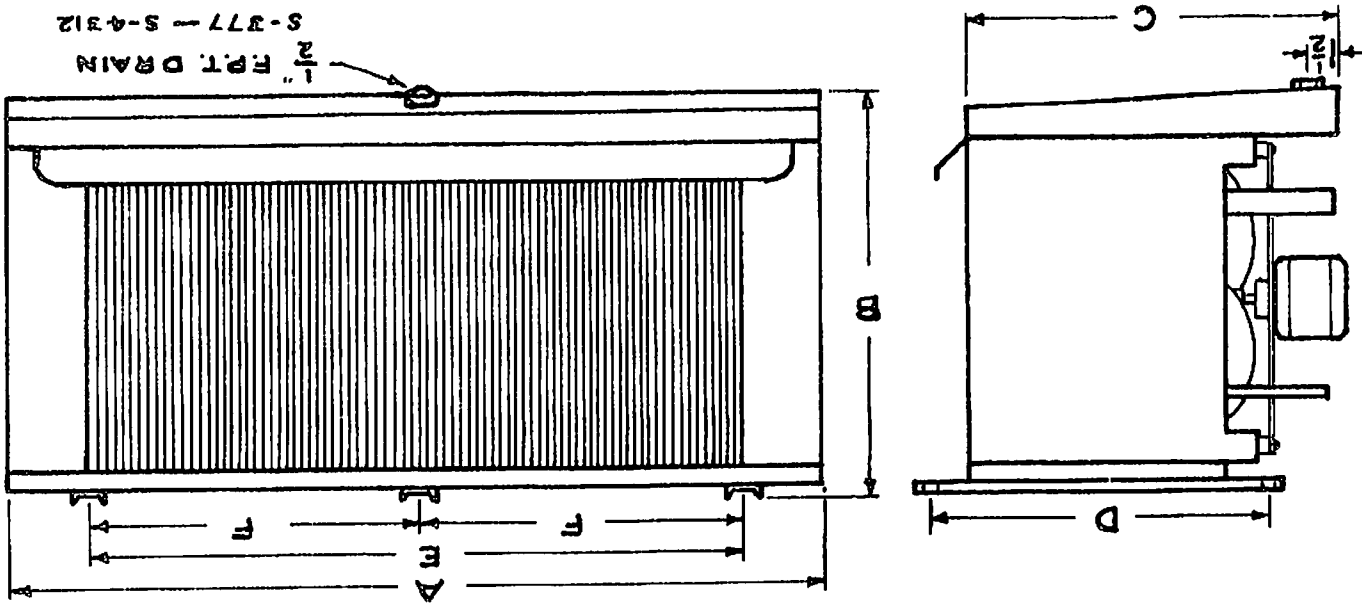
Capacities B.T.U. Rating For Above 33° F.

MODEL	B.T.U. 10° T.D.	B.T.U. 15° T.D.	MOTOR	FAN	C.F.M.	APPROX. AIRTHROW	LIQUID	SUCTION
S377	377	3770	5655	12"	530	17'	1/2" Tube	5/8" Tube
S431	431	4310	6465	12"	610	19'	1/2" Tube	5/8" Tube
S540	540	5400	8100	12"	750	21'	1/2" Tube	5/8" Tube
S645	645	6450	9675	12"	910	23'	1/2" Tube	5/8" Tube
S727	727	7270	10905	12"	1020	24'	1/2" Tube	5/8" Tube
S807	807	8070	12105	12"	1180	26'	1/2" Tube	7/8" Tube
S969	969	9690	14535	14"	1410	28'	1/2" Tube	7/8" Tube
S1210	1210	12100	18150	16"	1320	26'	1/2" Tube	7/8" Tube
S1452	1452	14520	21780	2-1/12"	2030	33'	1/2" Tube	7/8" Tube
S1531	1531	15310	22965	2-1/12"	2250	35'	1/2" Tube	7/8" Tube
S1684	1684	16840	25260	2-1/12"	2470	37'	1/2" Tube	7/8" Tube
S1838	1838	18380	27570	2-1/6"	2700	39'	1/2" Tube	1 1/8" Tube
S2522	2522	25220	37830	2-1/6"	2750	37'	1/2" Tube	1 1/8" Tube
S2756	2756	27560	41340	2-1/6"	3000	39'	3/4" Tube	1 3/8" Tube
S2990	2990	29900	44850	3-1/12"	4180	49'	3/4" Tube	1 3/8" Tube
S3736	3736	37360	56040	3-1/6"	4040	45'	3/4" Tube	1 5/8" Tube
S4037	4037	40370	60555	3-1/6"	4340	46'	3/4" Tube	1 5/8" Tube
S4312	4312	43120	64680	3-1/6"	4650	48'	3/4" Tube	1 5/8" Tube
S5803	5803	58030	87045	3-1/4"	6250	56'	1 1/8" Tube	2 1/8" Tube
S6197	6197	61970	92955	3-1/4"	6690	59'	1 1/8" Tube	2 1/8" Tube

Models S807 Through S6197 Use External Equalizer Valve

MODEL	DIM. A	DIM. B	DIM. C	DIM. D	DIM. E	DIM. F	DIM. G	DIM. H	DIM. I	DIM. J	DIM. K	DIM. L	DIM. M	DIM. N	DIM. O	DIM. P
S377	21	14 3/4	18	17	15	—	—	—	—	—	—	—	—	—	—	20 3/4
S431	21	16 1/2	18	17	15	—	—	—	—	—	—	—	—	—	—	20 3/4
S540	21	20	18	17	15	—	—	—	—	—	—	—	—	—	—	20 3/4
S645	28	16 1/2	18	17	15	—	—	—	—	—	—	—	—	—	—	20 3/4
S727	28	18 1/2	18	17	15	—	—	—	—	—	—	—	—	—	—	20 3/4
S807	28	20	18	17	15	—	—	—	—	—	—	—	—	—	—	20 3/4
S969	28	23 1/2	18	17	15	—	—	—	—	—	—	—	—	—	—	25 1/2
S1210	28	20	18	17	15	—	—	—	—	—	—	—	—	—	—	25 1/2
S1452	47	18 1/2	18	17	15	—	—	—	—	—	—	—	—	—	—	24 3/8
S1531	47	20	18	17	15	—	—	—	—	—	—	—	—	—	—	24 3/8
S1684	47	21 3/4	18	17	15	—	—	—	—	—	—	—	—	—	—	20 3/4
S1838	47	23 1/2	18	17	15	—	—	—	—	—	—	—	—	—	—	20 3/4
S2522	47	21 3/4	18	17	15	—	—	—	—	—	—	—	—	—	—	20 3/4
S2756	47	24	18	17	15	—	—	—	—	—	—	—	—	—	—	20 3/4
S2990	58	29 1/4	18	17	15	—	—	—	—	—	—	—	—	—	—	25 1/2
S3736	58	26 1/4	18	17	15	—	—	—	—	—	—	—	—	—	—	25 1/2
S4037	58	28	18	17	15	—	—	—	—	—	—	—	—	—	—	25 1/2
S4312	58	29 3/4	18	17	15	—	—	—	—	—	—	—	—	—	—	25 1/2
S5803	84	28	21	21	17	—	—	—	—	—	—	—	—	—	—	29
S6197	84	29 3/4	21	21	17	—	—	—	—	—	—	—	—	—	—	29

Note: Models S5803 - S6197 with 1 1/2" Fo pipe Drain Fitting. 1/2" slope to drain through Model S2990, 1" slope to drain S3736 and up, for fast drainage and to eliminate Fan sweating on bottom. Staggered Tube Pattern on all Models to increase efficiency of operation.



Note: Specify 115 or 230 Volt H.P. Motors when ordering