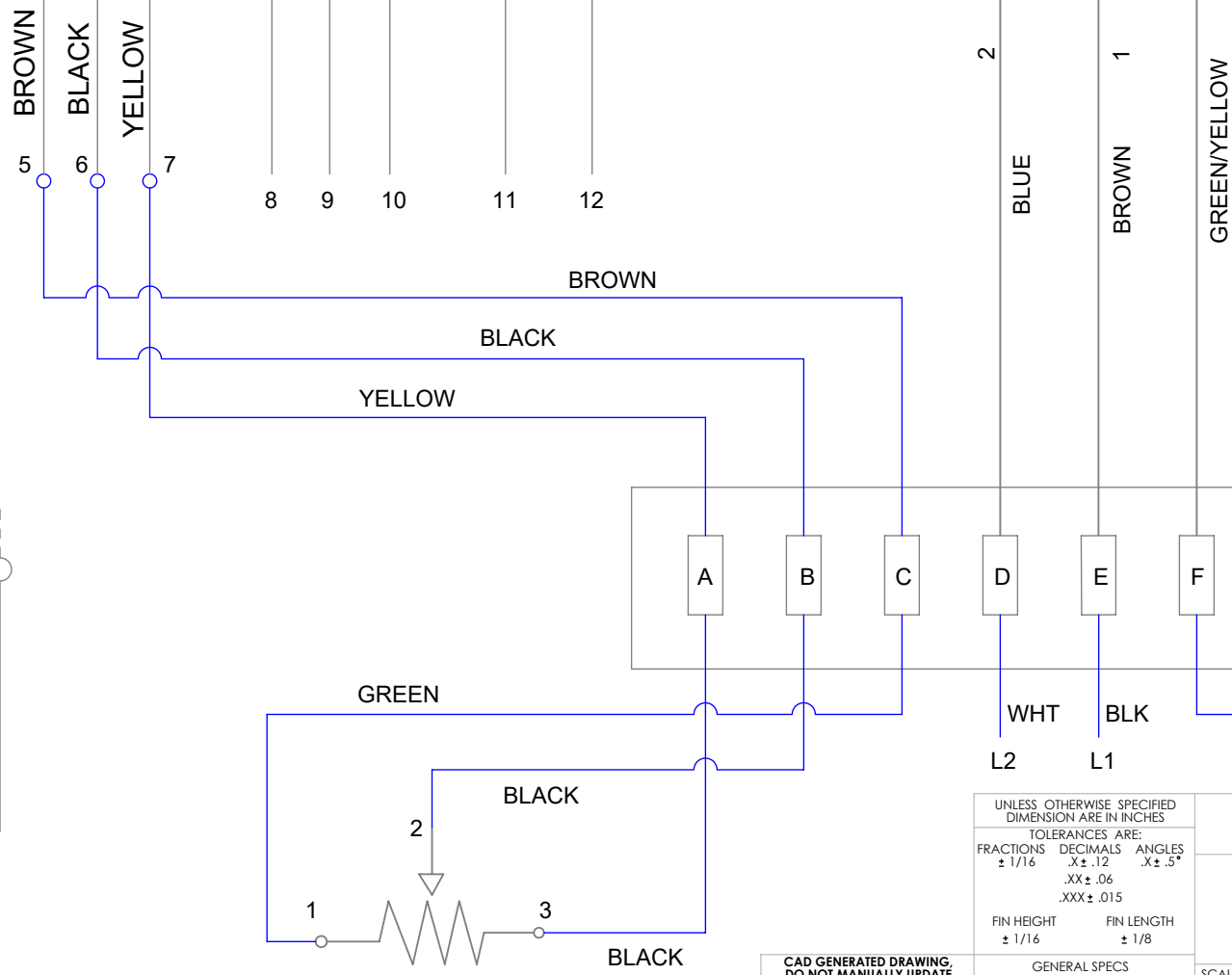
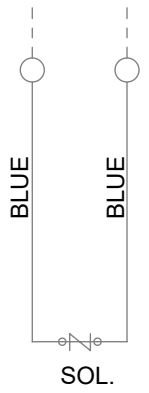
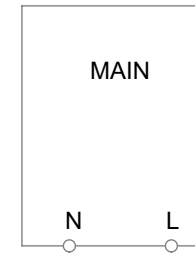
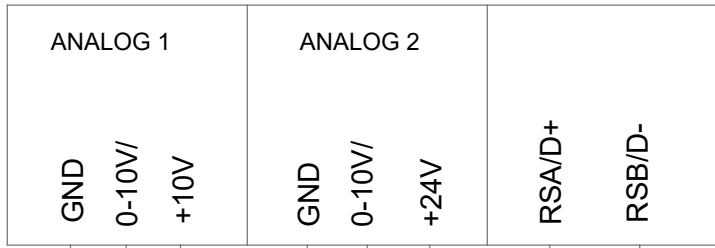


VAH87EC  
VAH66EC

HS66EC  
HS87EC

HS66CL-EC  
HS87CL-EC



UNLESS OTHERWISE SPECIFIED DIMENSION ARE IN INCHES		
TOLERANCES ARE:		
FRACTIONS	DECIMALS	ANGLES
$\pm 1/16$	$.X \pm .12$	$.X \pm .5^\circ$
	.XX $\pm .06$	
	.XXX $\pm .015$	
FIN HEIGHT	FIN LENGTH	
$\pm 1/16$	$\pm 1/8$	

CAD GENERATED DRAWING, DO NOT MANUALLY UPDATE, DO NOT SCALE DRAWING

THE INFORMATION CONTAINED IN THIS DRAWING IS THE SOLE PROPERTY OF LRC COIL CO. ANY REPRODUCTION IN PART OR WHOLE WITHOUT THE WRITTEN PERMISSION OF LRC COIL CO. IS PROHIBITED

**LRC COIL CO.**  
WIRING DIAGRAM  
ES-4075EC W/  
POTENTIOMETER

SCALE	DWG. NO.	REV.
	ES-4075EC POT	
DRAWN:	DATE: 11/10/2020	SIZE: A SHEET 1 OF 1