

HS25EC
HS31EC
HS47EC

HS25CL-EC
HS31CL-EC
HS47CL-EC

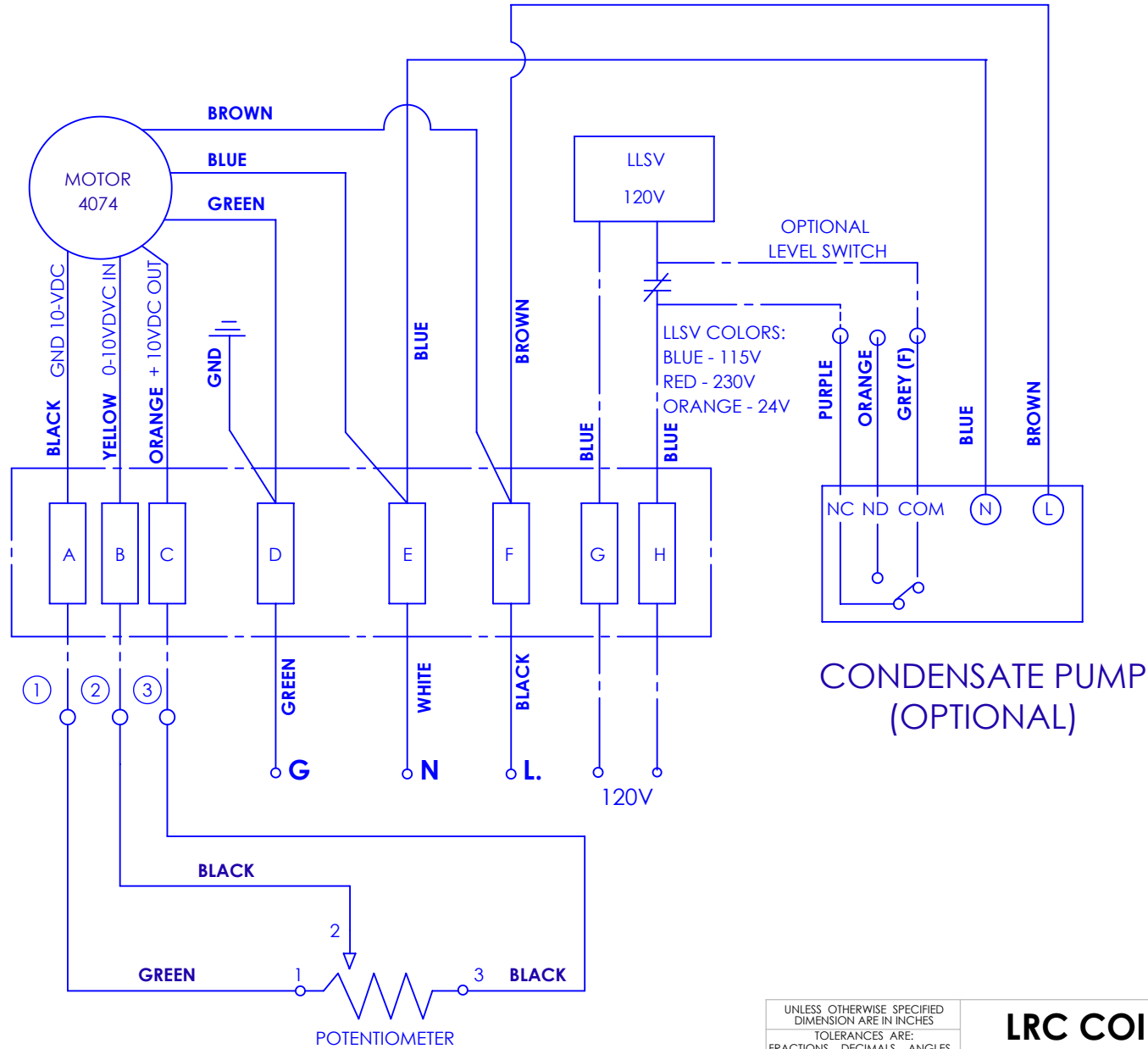
RM25EC
RM35EC
RM50EC
RM65EC

RMD-25EC
RMD-35EC
RMD-50EC
RMD-65EC

VAH25EC
VAH31EC
VAH47EC

VRM25EC
VRM35EC
VRM50EC
VRM65EC

120 VAC



UNLESS OTHERWISE SPECIFIED DIMENSION ARE IN INCHES		
TOLERANCES ARE:		
FRACTIONS	DECIMALS	ANGLES
$\pm 1/16$	$\pm .12$	$\pm .5^\circ$
	.XX $\pm .06$	
	.XXX $\pm .015$	
FIN HEIGHT	FIN LENGTH	
$\pm 1/16$	$\pm 1/8$	

GENERAL SPECS	
MATERIAL	

LRC COIL CO.			
WIRING DIAGRAM ES-4074EC W/ POTENTIOMETER			
SCALE:	DWG. NO.	REV.	
	ES-4074EC	B	
DRAWN:	DATE:	SIZE:	SHEET
C.RUA	4/9/2021	A	1 OF 1

CAD GENERATED DRAWING, DO NOT MANUALLY UPDATE, DO NOT SCALE DRAWING

THE INFORMATION CONTAINED IN THIS DRAWING IS THE SOLE PROPERTY OF LRC COIL CO. ANY REPRODUCTION IN PART OR WHOLE WITHOUT THE WRITTEN PERMISSION OF LRC COIL CO. IS PROHIBITED

-	NEW RELEASE	4/9/2021	C.RUA
REV.	DESCRIPTION	DATE	BY
	REVISIONS		