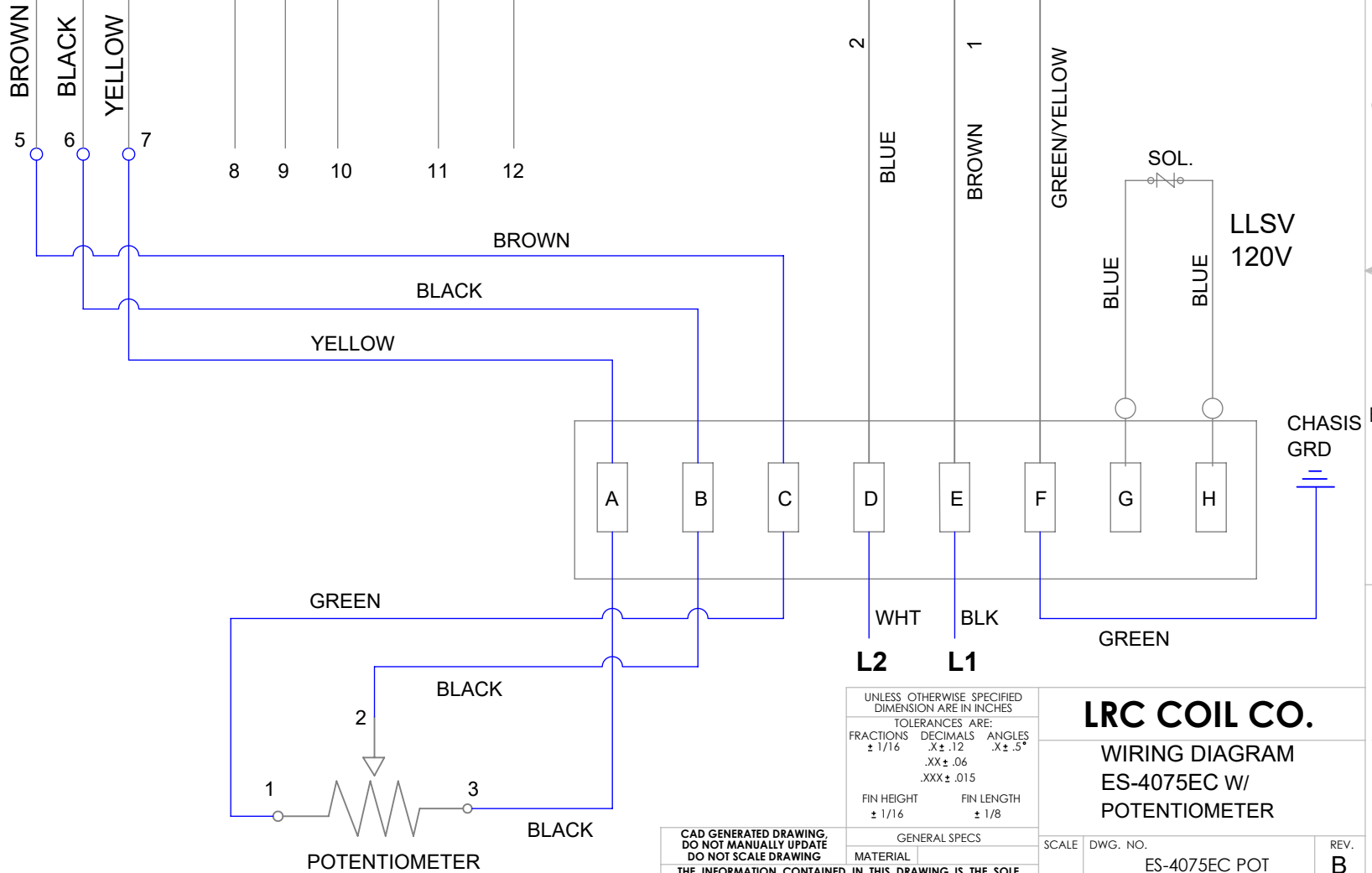
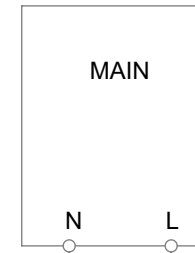
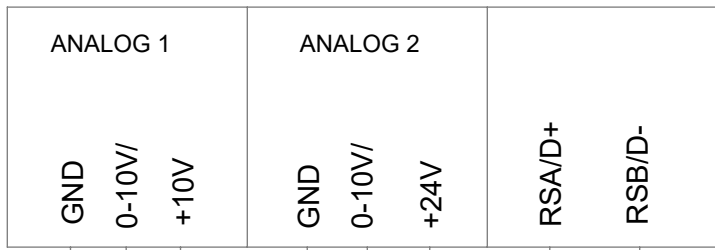


VAH87EC
VAH66EC

HS66EC
HS87EC

HS66CL-EC
HS87CL-EC

MOTOR



UNLESS OTHERWISE SPECIFIED DIMENSION ARE IN INCHES		
TOLERANCES ARE:		
FRACTIONS	DECIMALS	ANGLES
$\pm 1/16$	$.X \pm .12$	$.X \pm .5^\circ$
	$.XX \pm .06$	
	$.XXX \pm .015$	
FIN HEIGHT	FIN LENGTH	
$\pm 1/16$	$\pm 1/8$	

CAD GENERATED DRAWING,
DO NOT MANUALLY UPDATE
DO NOT SCALE DRAWING

GENERAL SPECS
MATERIAL
IN THIS DRAWING IS THE SOLE
PROPERTY OF LRC COIL CO. ANY REPRODUCTION IN PART OR WHOLE
WITHOUT THE WRITTEN PERMISSION OF LRC COIL CO. IS PROHIBITED

LRC COIL CO.

WIRING DIAGRAM
ES-4075EC W/
POTENTIOMETER

SCALE	DWG. NO.	REV.
	ES-4075EC POT	B
DRAWN: C.RUA	DATE: 5/13/2021	SIZE: A SHEET 1 OF 1