

CTE35EC

HS25EC  
HS31EC  
HS47EC

HS25CL-EC  
HS31CL-EC  
HS47CL-EC

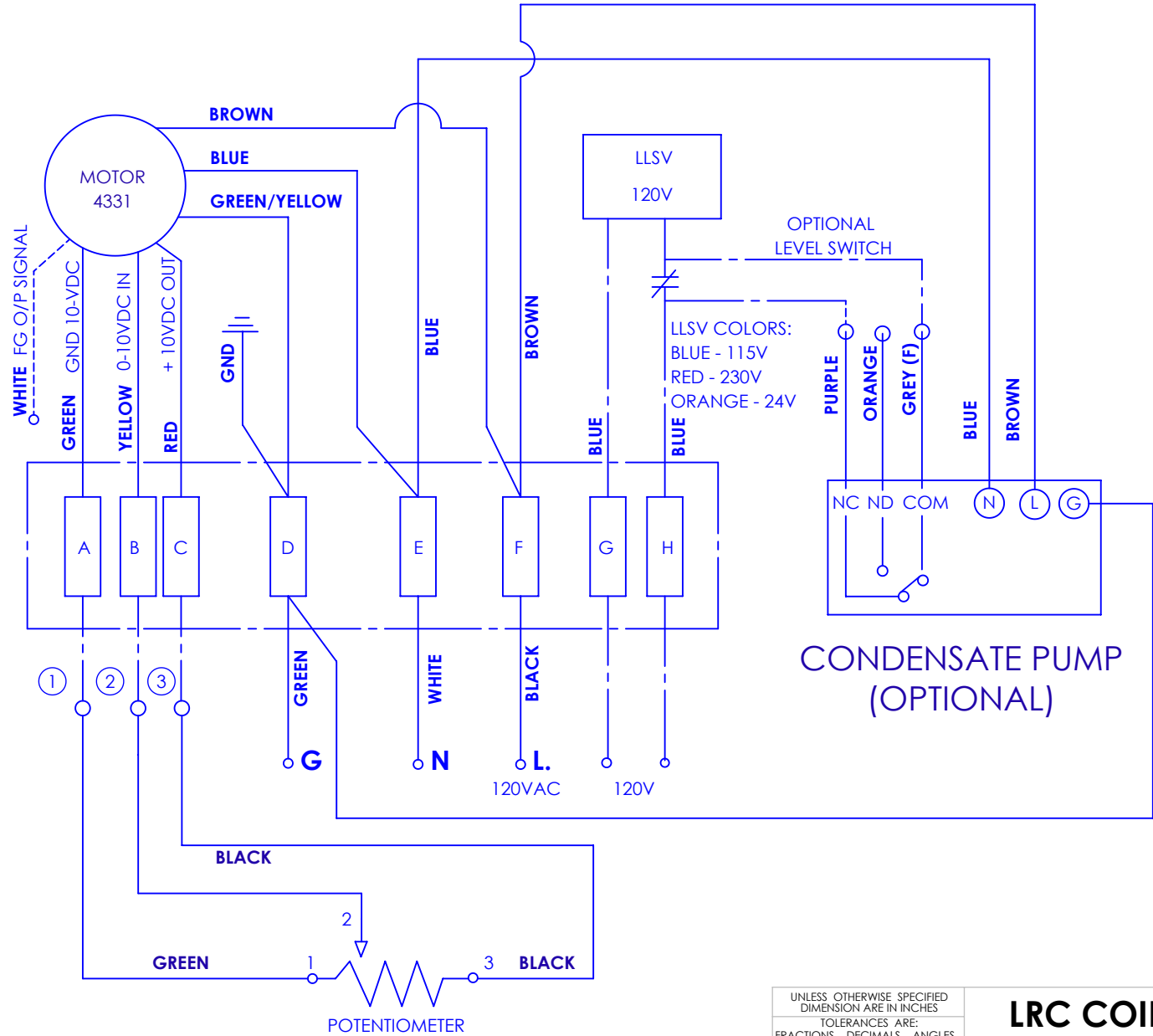
RM25EC  
RM35EC  
RM50EC  
RM65EC

RMD-25EC  
RMD-35EC  
RMD-50EC  
RMD-65EC

VAH25EC  
VAH31EC  
VAH47EC

VRM25EC  
VRM35EC  
VRM50EC  
VRM65EC

120 VAC



|   |                 |                |
|---|-----------------|----------------|
| UNLESS OTHERWISE SPECIFIED<br>DIMENSION ARE IN INCHES |                 |                |
| TOLERANCES ARE:                                       |                 |                |
| FRACTIONS   | DECIMALS        | ANGLES         |
| $\pm 1/16$  | $\pm .12$       | $\pm .5^\circ$ |
|   | .XX $\pm .06$   |                |
|   | .XXX $\pm .015$ |                |
| FIN HEIGHT  | FIN LENGTH      |                |
| $\pm 1/16$  | $\pm 1/8$       |                |

|               |  |
|---------------|--|
| GENERAL SPECS |  |
| MATERIAL      |  |

|   |           |        |          |
|---|-----------|--------|----------|
| <b>LRC COIL CO.</b>                             |           |        |          |
| WIRING DIAGRAM<br>ES-4331EC W/<br>POTENTIOMETER |           |        |          |
| SCALE:  | DWG. NO.  | REV.   |          |
|   | ES-4331EC | C      |          |
| DRAWN:  | C.RUA     | DATE:  | 4/9/2021 |
|   |           | SIZE:  | A        |
|   |           | SHEET: | 1 OF 1   |

CAD GENERATED DRAWING,  
DO NOT MANUALLY UPDATE  
DO NOT SCALE DRAWING

THE INFORMATION CONTAINED IN THIS DRAWING IS THE SOLE  
PROPERTY OF LRC COIL CO. ANY REPRODUCTION IN PART OR WHOLE  
WITHOUT THE WRITTEN PERMISSION OF LRC COIL CO. IS PROHIBITED

|      |             |          |       |
|------|-------------|----------|-------|
| -    | NEW RELEASE | 4/9/2021 | C.RUA |
| REV. | DESCRIPTION | DATE     | BY    |
|      | REVISIONS   |          |       |