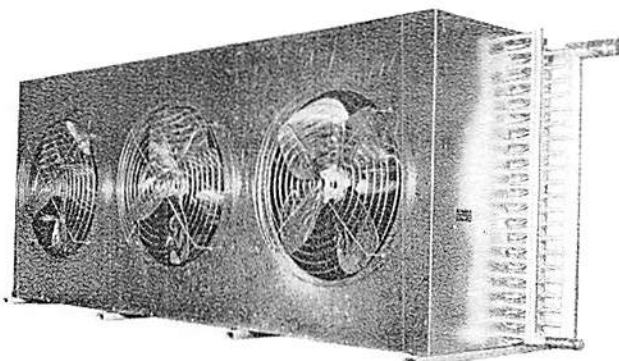
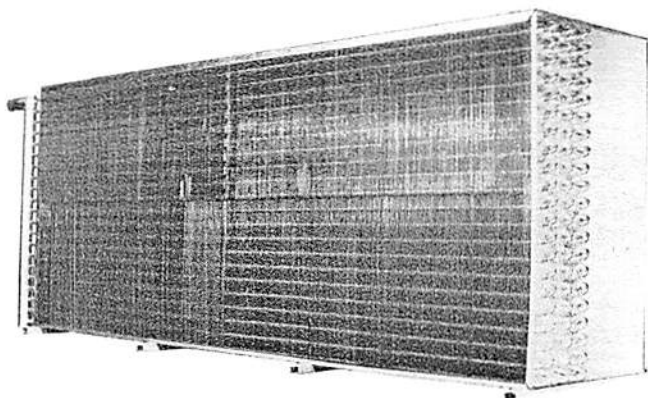


REMOTE AIR COOLED CONDENSERS

(AC-Condensers)



MODEL AC-200 ILLUSTRATED — SINGLE CIRCUIT

- ☆ STAGGERED TUBE FOR MAXIMUM EFFICIENCY
- ☆ MAX. 7 FINS/INCH TO AVOID CLOGGING UP
- ☆ LOW SILHOUETTE DESIGN
- ☆ FOUR BLADE PRESSURE TYPE FANS
- ☆ SPECIAL WINTER CONTROL SYSTEM IF REQUIRED
- ☆ NO ADDITIONAL CHARGE FOR MULTIPLE CIRCUITS
- ☆ 230 VOLT MOTORS STANDARD EQUIPMENT, 115 VOLT MOTORS OR 3 PHASE MOTORS AVAILABLE
- ☆ CAN BE INSTALLED INDOOR OR OUTDOOR WITHOUT CHANGE OR ADDITION
- ☆ HEAVY GALVANIZED HOUSING

WHEN ORDERING:

- (1) Select correct model LRC remote air cooled condenser from tables on back of this page.
- (2) Specify if 115 volt motors desired.
- (3) Specify if ceiling mount desired.
- (4) Specify RH or LH connections.
(Determined by Facing Fans)

NOTE:

Special condensers with **centrifugal blowers** are available for applications where noise is a problem.

L. R. Corporation [Lanphere]

Manufacturers of Commercial Refrigeration & Air Conditioning Heat Transfer Equipment

FACTORY and OFFICES

Huntington Park, California

• Phone 583-3187

TABLE 1. AIRCOOLED CONDENSERS

Model	Capacity 25°F T. D.	Face Tubes	*Cap Per Face Tube 25°F T. D.	Motor H.P.	C.F.M.	Fan	Inlet O.D.	Outlet O.D.
20	26,000	14	1860	1/4	2500	18"	1 1/8	7/8
30	40,000	14	2860	1/4	2700	18"	1 1/8	7/8
50	60,000	14	4290	2-1/4	5500	2-18"	1 3/8	7/8
75	90,000	14	6430	2-1/4	5500	2-18"	1 3/8	7/8
100	120,000	14	8580	3-1/4	7600	2-18"	1 3/8	1 1/8
125	150,000	14	10710	3-1/2	11200	3-20"	1 5/8	1 1/8
150	180,000	18	10000	3-1/2	11300	3-20"	2 1/8	1 1/8
175	210,000	18	11670	3-1/2	15000	3-22"	2 1/8	1 1/8
200	240,000	21	11430	3-1/2	15000	3-22"	2 1/8	1 3/8
250	300,000	24	12500	4-1/2	20000	4-22"	2 5/8	1 5/8

*This column indicates capacity for each section of the condenser containing one face tube.
For winter control system see Price List.

TABLE 2. CORRECTION FACTORS

Suction Temp. °F	30°F T.D.	25°F T.D.	20°F T.D.	15°F T.D.
50	.81	.98	1.23	1.63
45	.82	.99	1.24	1.65
40	.82	1.00	1.25	1.67
35	.84	1.01	1.26	1.68
30	.85	1.02	1.28	1.70
25	.86	1.04	1.29	1.73
20	.87	1.05	1.31	1.75
15	.89	1.07	1.33	1.78
10	.90	1.08	1.35	1.80
5	.92	1.10	1.38	1.83
0	.93	1.12	1.40	1.87
-5	.95	1.14	1.42	1.90
-10	.97	1.16	1.45	1.93
-15	.98	1.18	1.48	1.97
-20	1.00	1.20	1.50	2.00
-25	1.02	1.23	1.53	2.04
-30	1.04	1.25	1.56	2.08
-35	1.07	1.28	1.60	2.13

TABLE 3

AMBIENT TEMPERATURE	CORRECTION FACTOR							
	85		90		100		105	
RECOMMENDED T.D.	25	30	20	25	15	20	15	15
Corresponding Headpressure psig.	F12, R12	136.4	146.8	136.4	146.8	146.8	157.7	157.7
	F22, R22	228.7	245.3	228.4	245.3	245.3	262.6	262.6

DIMENSIONS

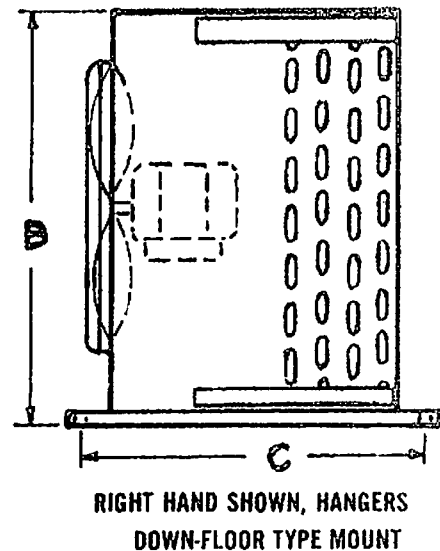
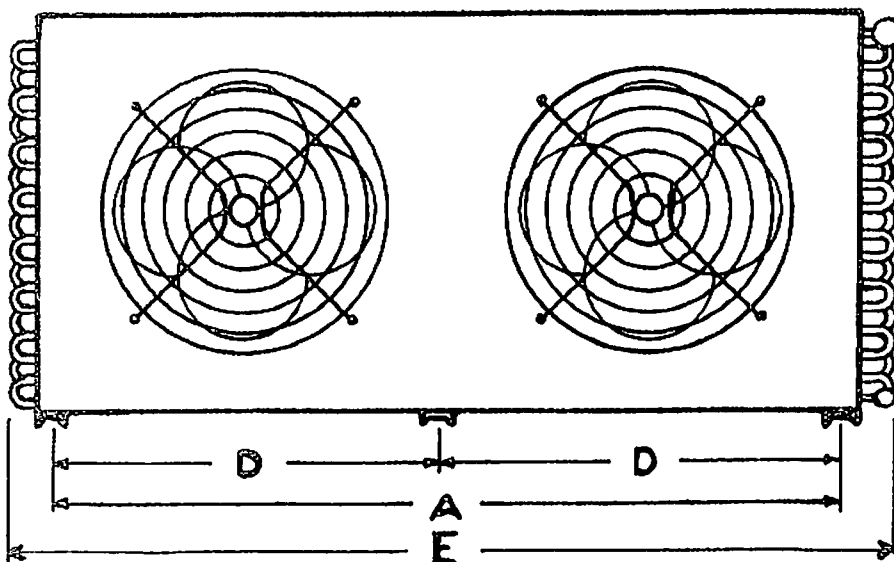
MODEL	A.	B.	C.	D.	E.
AC-20	21 1/2	25 1/2	25 1/2	—	29
AC-30	21 1/2	25 1/2	25 1/2	—	29
AC-50	50 1/2	25 1/2	25 1/2	25 1/4	58
AC-75	50 1/2	25 1/2	25 1/2	25 1/4	58
AC-100	67 1/2	25 1/2	25 1/2	22 1/2	75
AC-125	84	25 1/2	25 1/2	28	92
AC-150	80 1/4	33	25 1/2	26 3/4	88
AC-175	93	33	25 1/2	31	100 1/2
AC-200	93	38 1/4	25 1/2	31	100 1/2
AC-250	102	43	25 1/2	34	110

SELECTION OF CONDENSER

Step 1. Select recommended temperature difference TD from table 3.
Step 2. Multiply actual evaporator capacity by correction factor corresponding to selected suction temperature found in table 2. This adjusted capacity is equivalent to load of condenser at 25 TD.

EXAMPLE:

Evaporator load at — 10 F suction temperature is 26,000 BTU. Selected TD is 20. F. In table 2, found correction factor 1.45 26,000 x 1.45 = 37,700 BTU = adjusted load. In table 1, next corresponding capacity to adjusted load is 40,000 BTU. MODEL AC-30 is required.



AIR COOLED CONDENSERS FOR VERTICAL (VC) AND HORIZONTAL (HC) AIR FLOW. OUTDOOR OR INDOOR INSTALLATION

TABLE 1.

HC AND VC SPECIFICATION TABLE									
HC VC	CAP @ 25° T.D.	FACE TUBES HIGH	*CAP/PER TUBE 25° T.D.	CFM	HP 3 PHASE MOTOR	FAN RPM	FAN DIA.	INLET O.D.	OUTLET O.D.
80	80000	24	3333	8100	½ **	500	36	1 - 1/8	7/8
100	120000	26	4615	10100	1	650	36	1 - 3/8	1-1/8
150	180000	36	5000	16700	1½	450	48	2 - 1/8	1-1/8
200	240000	36	6667	19400	2	490	48	2 - 1/8	1-1/8
250	300000	42	7143	23000	2	410	60	2 - 5/8	1-5/8
300	360000	42	8570	30000	3	450	60	2 - 5/8	1-5/8
350	420000	42	10000	32000	3	450	60	3 - 1/8	1-5/8
400	480000	42	11430	35000	5	520	60	3 - 1/8	1-5/8
450	540000	42	12860	35000	7½	585	60	3 - 1/8	1-5/8
500	600000	42	13040	35000	7½	610	60	3 - 5/8	2-1/8
600	720000	46	15650	66000	7½	495	(2) 60	3 - 5/8	2-1/8
700	840000	46	18260	66000	10	510	(2) 60	3 - 5/8	2-1/8
800	960000	46	20870	66000	10	540	(2) 60	4 - 1/8	2-5/8
900	1080000	46	23480	70000	15	585	(2) 60	4 - 1/8	2-5/8
1000	1200000	46	26080	70000	15	610	(2) 60	4 - 1/8	2-5/8

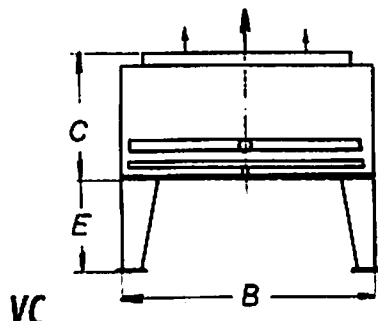
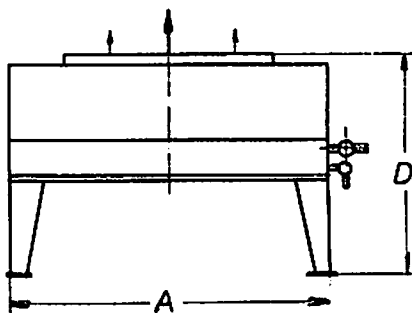
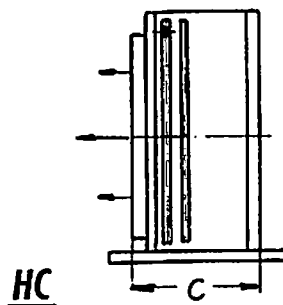
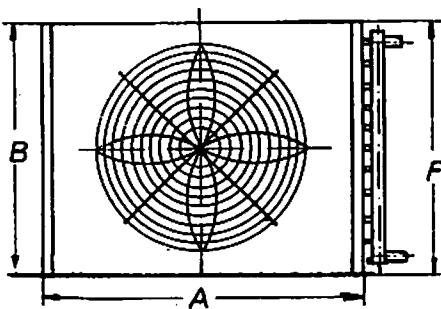
* COLUMN SHOWS CAPACITY FOR EACH SECTION CONTAINING ONE FACE TUBE.
 ** SINGLE PHASE MOTOR
 MULTIPLE CIRCUITS NO EXTRA COST.
 COMPLETE ELECTRIC WIRING AND JUNCTION BOX INCLUDED.
 CORRECTION FACTORS AND METHOD OF SELECTION - SEE PAGE "AC CONDENSERS."

TABLE 3.

AMBIENT TEMPERATURE		85		90		100		105
RECOMMENDED T.D.		25	30	20	25	15	20	15
CORRESPONDING HEADPRESSURE (PSIG)	F 12, R 12	136.4	146.8	136.4	146.8	146.8	157.7	157.7
	F 22, R 22	228.7	245.3	228.4	245.3	245.3	262.6	262.6

TABLE 2.

DIMENSIONS					
HC VC	A	B	C	D	E
80	45	43	28	52	24
100	53	48	30	54	24
150	59	66	32	56	24
200	78	66	32	56	24
250	78	77	34	58	24
300	98	77	34	58	24
350	114	77	34	58	24
400	98	77	37	61	24
450	110	77	37	63	26
500	122	77	37	69	32
600	178	82	37	69	32
700	178	82	37	69	32
800	178	82	37	69	32
900	178	82	37	69	32
1000	178	82	37	69	32



L.R.C.

LANPHERE REFRIG. CORP.
HUNTINGTON PARK, CALIF.

LUdlow 3-3187

TABLE 4.

AIRCOOLED CONDENSERS (with centrifugal blower)

WHERE A VERY LOW NOISE LEVEL IS DESIRED
OUTDOOR OR INDOOR INSTALLATION
BC SPECIFICATION TABLE

MODEL	CAPACITY 25° F T. D.	FACE TUBES HIGH	* CAPACITY PER TUBE 25° F T. D.	C.F.M.	MOTOR H.P.	NUMBER OF BLOWERS
BC 25	30000	16	1875	2600	1/3	1
BC 30	40000	16	2500	2800	1/2	1
BC 50	60000	18	3330	4200	3/4	1
BC 75	90000	20	4500	6000	1	1
BC 100	120000	18	6670	8000	2 - 3/4	2
BC 125	150000	18	8340	10000	2 - 3/4	2
BC 150	180000	20	9000	12000	2 - 1	2
BC 200	240000	20	12000	16000	1 - 3	2
BC 300	360000	34	10600	32000	1 - 7½	2
BC 350	420000	34	12320	32000	1 - 7½	2
BC 400	480000	34	14120	32000	1 - 7½	2

* COLUMN SHOWS CAPACITY FOR EACH SECTION CONTAINING ONE FACE TUBE.
MULTIPLE CIRCUITS NO EXTRA COST.
COMPLETE ELECTRIC WIRING AND JUNCTION BOX INCLUDED.
CORRECTION FACTORS AND METHOD OF SELECTION - SEE PAGE "AC CONDENSERS."

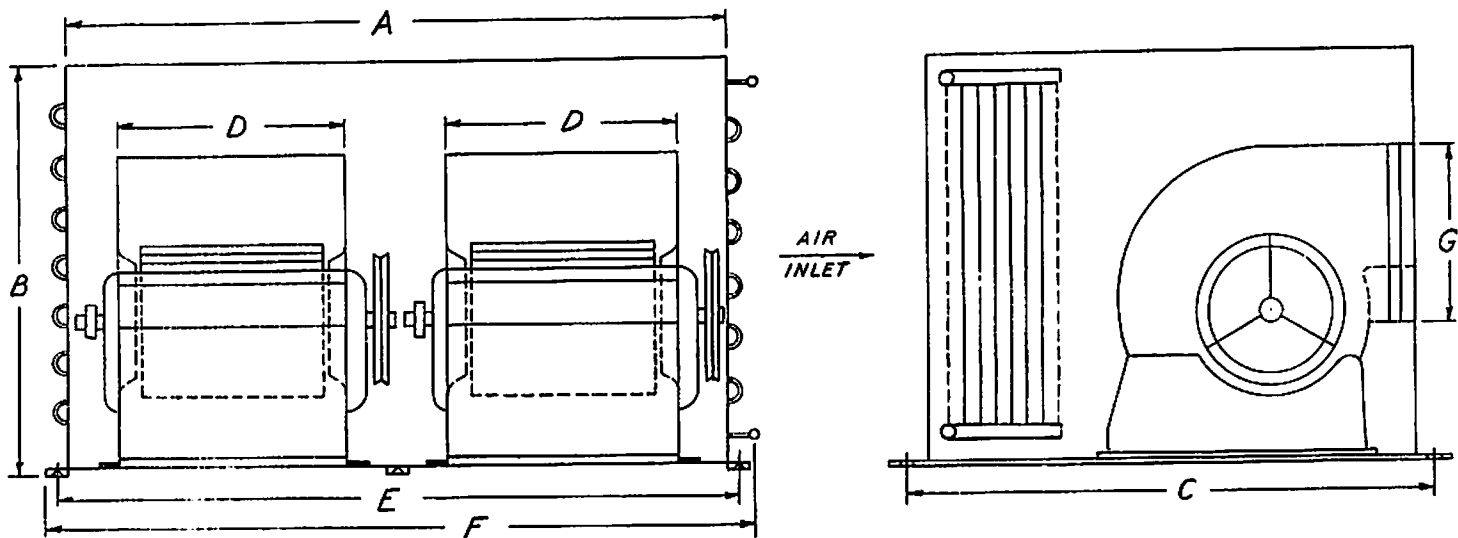


TABLE 5.

DIMENSIONS

MODEL	A	B	C	D	E	F	G	INLET	OUTLET
BC 25	24	29	31	16	26	34	14	1 - 1/8	7/8
BC 30	24	29	34	16	26	34	14	1 - 1/8	7/8
BC 50	30	32½	42	19	32	40	16	1 - 3/8	7/8
BC 75	40	36	49	23	42	50	23	1 - 3/8	7/8
BC 100	58	32½	45	19	60	68	16	1 - 5/8	1 - 1/8
BC 125	72	32½	56	23	74	82	23½	1 - 5/8	1 - 1/8
BC 150	80	36	56	23	82	90	23½	1 - 5/8	1 - 1/8
BC 200	110	36	59	24	112	120	23½	2 - 1/8	1 - 1/8
BC 300	132	61	69	32	134	142	32	3 - 1/8	1 - 5/8
BC 350	132	61	69	32	134	142	32	3 - 1/8	1 - 5/8
BC 400	132	61	69	32	134	142	32	3 - 1/8	1 - 5/8