

CTE35EC
CTE50EC

HS25EC
HS31EC
HS47EC
HS87EC

HS25CL-EC
HS31CL-EC
HS47CL-EC
HS66CL-EC
HS87CL-EC

RM25EC
RM35EC
RM50EC
RM65EC

RMD-25EC
RMD-35EC
RMD-50EC
RMD-65EC

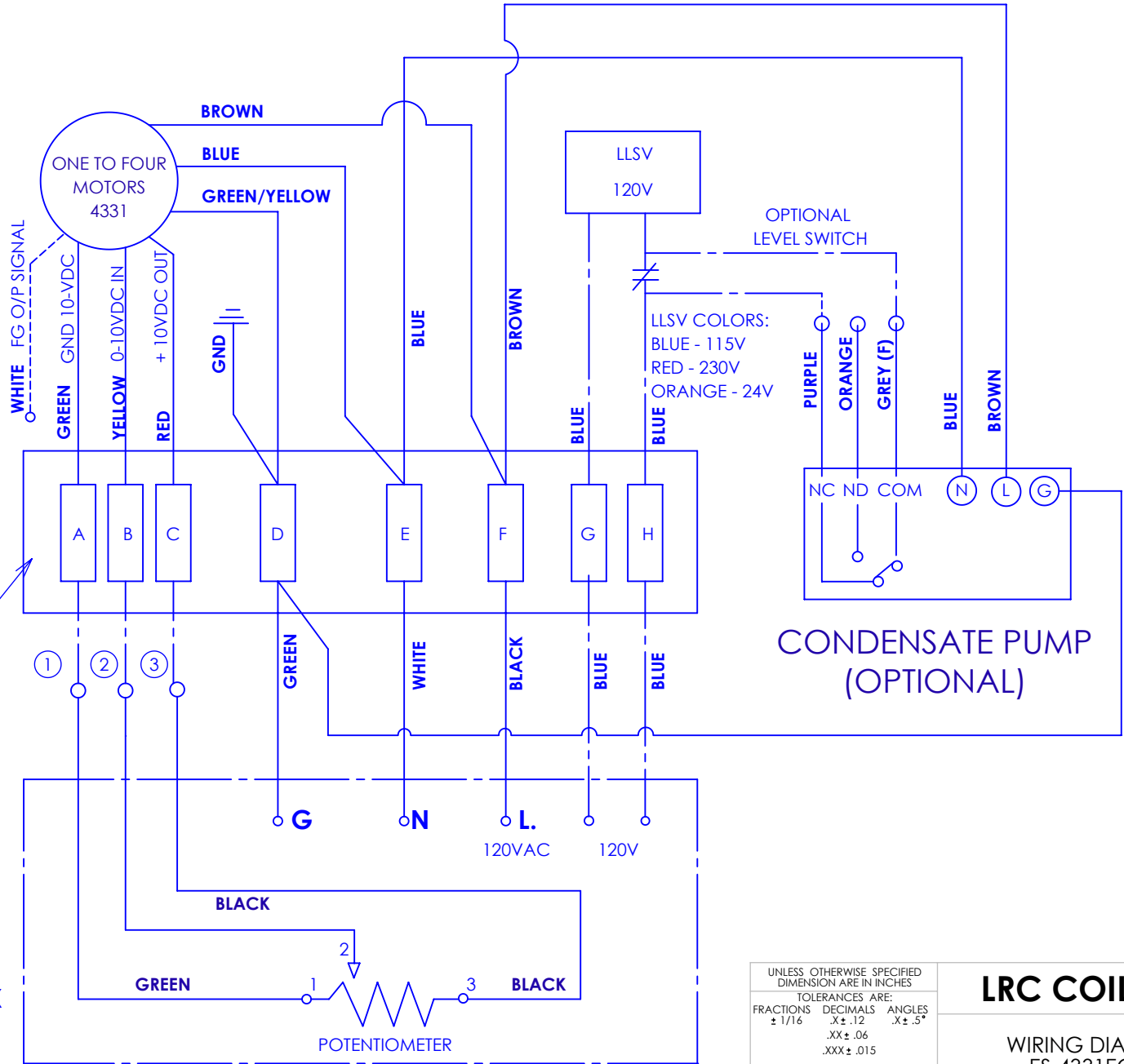
VAH25EC
VAH31EC
VAH47EC
VAH87EC

VRM25EC
VRM35EC
VRM50EC
VRM65EC

120 VAC

ELECTRICAL BOX

LOCATED NEAR
MOTOR MOUNT



UNLESS OTHERWISE SPECIFIED DIMENSION ARE IN INCHES		
TOLERANCES ARE:		
FRACTIONS	DECIMALS	ANGLES
$\pm 1/16$	$\pm .12$	$\pm .5^\circ$
	.XX $\pm .06$	
	.XXX $\pm .015$	
FIN HEIGHT	FIN LENGTH	
$\pm 1/16$	$\pm 1/8$	
GENERAL SPECS		
MATERIAL		

LRC COIL CO.

WIRING DIAGRAM
ES-4331EC W/
POTENTIOMETER

CAD GENERATED DRAWING,
DO NOT MANUALLY UPDATE
DO NOT SCALE DRAWING

PROPERTY OF LRC COIL CO. ANY REPRODUCTION IN PART OR WHOLE
WITHOUT THE WRITTEN PERMISSION OF LRC COIL CO. IS PROHIBITED

SCALE:	DWG. NO.	REV.
	ES-4331EC	C
DRAWN:	DATE:	SIZE:
C.RUA	4/9/2021	A
		SHEET 1 OF 1

-	NEW RELEASE	4/9/2021	C.RUA
REV.	DESCRIPTION	DATE	BY
	REVISIONS		