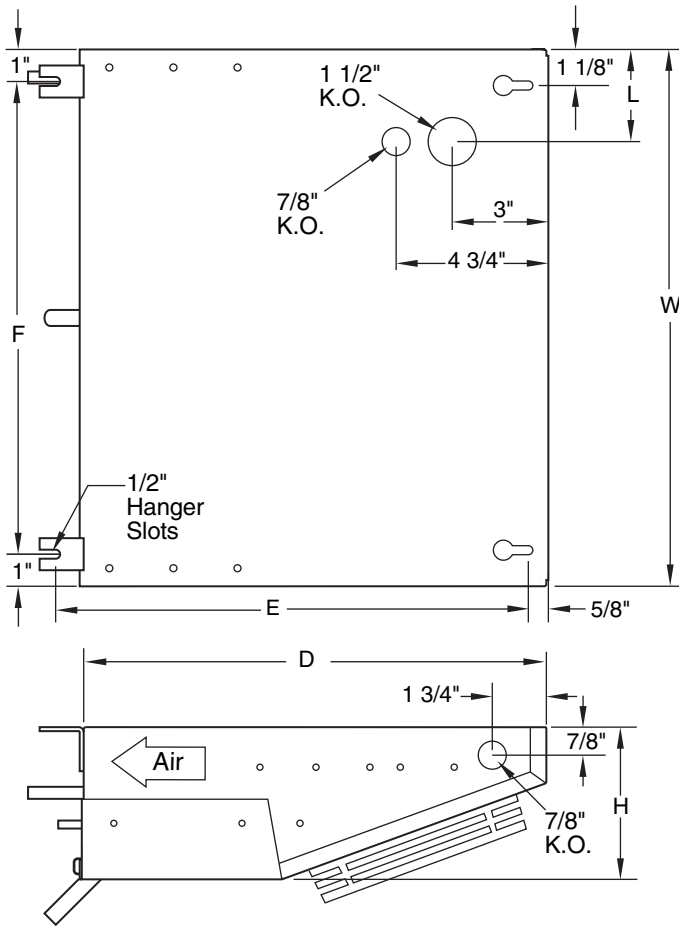


# LRC Low Profile Elec. Defrost Unit Cooler



Our Application Engineers can help you design the system you need. Call us today, 562-944-1969, and we'll help you the right LRC product for your project.

## Low Profile Electric Defrost Unit Cooler (LPE) Physical Data

Model No.	Fan Data			Dimensions						Suc. Con.	Wt. Lbs.
	# Fans	Size	CFM	W	D	H	E	F	L		
LPE15-9-***	1	6"	150	16 3/4	14 1/2	4 3/4	14 3/4	14 3/4	2 3/4	3/8	16
LPE25-13-***	2	6"	210	20 3/4	14 1/2	4 3/4	14 3/4	18 3/4	3 3/4	3/8	19
LPE25-17-***	2	6"	300	24 1/4	14 1/2	4 3/4	14 3/4	22 1/4	11 3/4	3/8	23
LPE25-21-***	2	8"	450	24 1/4	16 1/2	6 3/4	16 3/4	22 1/4	15 1/2	1/2	31
LPE25-31-***	2	8"	500	31 3/4	16 1/2	6 3/4	16 3/4	29 3/4	5 3/4	1/2	39
LPE35-38-***	3	8"	750	38 3/4	16 1/2	6 3/4	16 3/4	36 3/4	3	5/8	48
LPE45-59-***	4	8"	950	48 3/4	16 1/2	6 3/4	16 3/4	46 3/4	13	5/8	70
LPE55-70-***	5	8"	1,150	58 3/4	16 1/2	6 3/4	16 3/4	56 3/4	13	5/8	105

Liquid Connection is 3/8" OD. Drain Connection is 1/2" OD.

## Low Profile Electric Defrost Unit Cooler (LPE) Specifications

Model No.	Motor Amps		Heater Amps			BTUH Capacity @ 10°F TD (R404)			
	115V/1Ø	230V/1Ø	115V/1Ø	230V/1Ø	Watts	-30°F ST	-20°F ST	-10°F ST	+10°F ST
LPE15-9-***	0.73	0.37	3.5	1.75	400	940	945	955	960
LPE25-13-***	1.5	0.73	4.4	2.2	500	1,258	1,278	1,292	1,307
LPE25-17-***	1.5	0.73	6.1	3.05	700	1,606	1,656	1,692	1,732
LPE25-21-***	2.4	1.2	6.1	3.05	700	1,915	2,033	2,122	2,230
LPE25-31-***	2.4	1.2	7.8	3.9	900	2,988	3,056	3,103	3,156
LPE35-38-***	3.6	1.8	10.4	5.2	1,200	3,558	3,680	3,767	3,867
LPE45-59-***	4.8	2.4	13	6.5	1,500	5,583	5,802	5,950	6,136
LPE55-70-***	6.0	3.0	20	10	2,300	6,295	6,684	6,974	7,322