

Low Velocity Unit Cooler

Electric Defrost

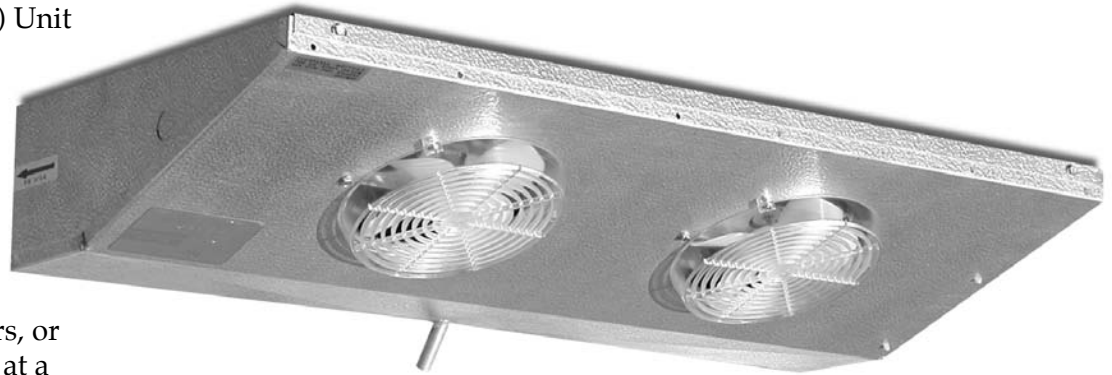
940 to 7,322 BTUH Capacity

LRC's Low Profile (LPE) Unit Coolers are powerful cooling systems in a small, low profile cabinet. LPE coolers are designed for medium to low temperature reach-in coolers, back-bars, beverage or salad coolers, or any area where space is at a premium.

LPE units are available with electric heaters for areas requiring defrost assistance, or can be ordered as ambient air defrost units (see LPA technical bulletin for details). Each LRC LP unit is designed with staggered coils for maximum air flow efficiency.

Efficient and dependable, LRC's LPE units have capacities ranging from 940 BTUH to 7,322 BTUH, and can be used with R-22, R-134A, R-404A, or R-507 refrigerants. LRC's LPE units are simple to install, easy to maintain, and will provide years of reliable service.

- Low horsepower motors and quiet fan blades reduce noise
- Molded Lexan® fan guard(s)
- Ideal for high humidity room applications
- Compact size maximizes available storage space
- All motors are thermally protected
- High performance staggered coils, with tubing mechanically expanded into aluminum collared fins
- Each unit is pressure tested to eliminate leaks
- Rustproof all-aluminum



cabinet. Epoxy, polyester, or phenolic coatings are available for additional corrosion protection

- Factory wired for easy field installation
- Electric defrost available for rooms below +35° F. Heater(s) mounted at the bottom of the coil provide rapid and even defrost pattern.
- Air defrosting coil requires no additional heater. (See LPA technical bulletin for details.)
- NSF approved for flush to ceiling installation
- ETL certified

Options Available – Call for details

Copper coils, stainless steel or painted cabinets, pre-charged, custom or OEM units can be made to your order. Adjustable defrost termination and fan delay control is available. Consult factory for details.

Our Application Engineers can

help you design the system you need. Call us today, 562-944-1969, and we'll help you get the right LRC product for you project.

Product Number Designation Example

LPE35-38-*** is broken down as
LP = Low Profile Unit Cooler
E = Electric Defrost Unit
3 = 3 Fans
5 = 5 FPI
38 = BTU/H times 100 at 10° F T.D. / -10° F S.T.
*** = Specify motor voltage

Visit www.lrccoil.com for installation and maintenance data, and wiring diagrams.

OUR UNCONDITIONAL GUARANTEE

We're proud of the workmanship that goes into every LRC product. Because of our exacting design and manufacturing standards, and our thorough testing prior to shipping, we unconditionally guarantee our products to be free from manufacturing defects for one year. You can count on LRC Coil for quality heat transfer products.

At LRC, we are continuously working to improve our products, therefore, we reserve the right to make changes without notice.

© LRC Coil Company 2003

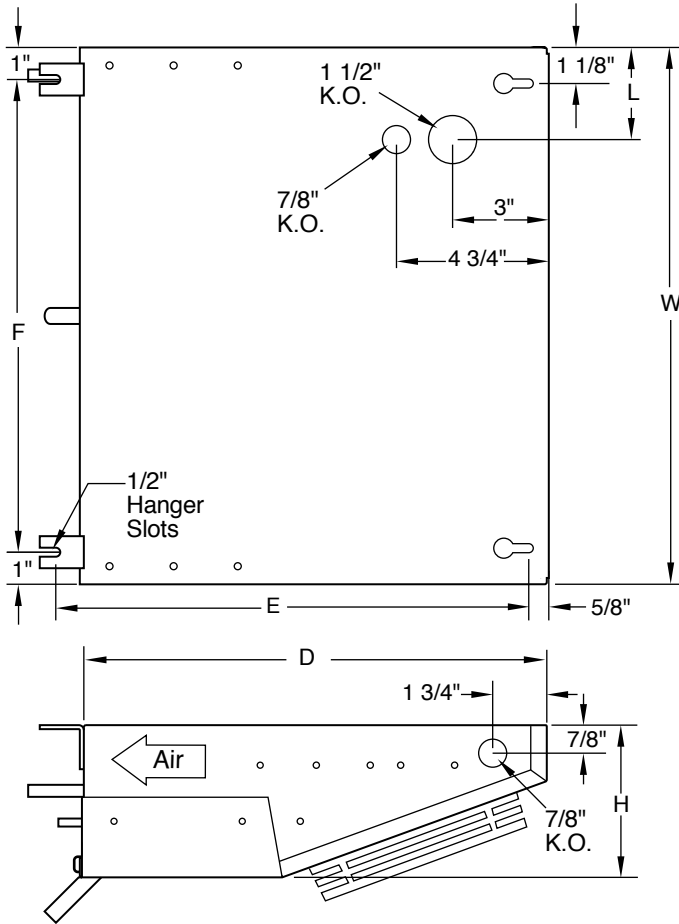


LRC Low Profile Elec. Defrost Unit Cooler

COIL COMPANY

TECHNICAL BULLETIN LPERB 0306 B

PAGE 2



Our Application Engineers can help you design the system you need. Call us today, 562-944-1969, and we'll help you the right LRC product for your project.

Low Profile Electric Defrost Unit Cooler (LPE) Physical Data

Model No.	Fan Data			Dimensions						Suc. Con.	Wt. Lbs.
	# Fans	Size	CFM	W	D	H	E	F	L		
LPE15-9-***	1	6"	150	16 3/4	14 1/2	4 3/4	14 3/4	14 3/4	2 3/4	3/8	16
LPE25-13-***	2	6"	210	20 3/4	14 1/2	4 3/4	14 3/4	18 3/4	3 3/4	3/8	19
LPE25-17-***	2	6"	300	24 1/4	14 1/2	4 3/4	14 3/4	22 1/4	11 3/4	3/8	23
LPE25-21-***	2	8"	450	24 1/4	16 1/2	6 3/4	16 3/4	22 1/4	15 1/2	1/2	31
LPE25-31-***	2	8"	500	31 3/4	16 1/2	6 3/4	16 3/4	29 3/4	5 3/4	1/2	39
LPE35-38-***	3	8"	750	38 3/4	16 1/2	6 3/4	16 3/4	36 3/4	3	5/8	48
LPE45-59-***	4	8"	950	48 3/4	16 1/2	6 3/4	16 3/4	46 3/4	13	5/8	70
LPE55-70-***	5	8"	1,150	58 3/4	16 1/2	6 3/4	16 3/4	56 3/4	13	5/8	105

Liquid Connection is 3/8" OD. Drain Connection is 1/2" OD.

Low Profile Electric Defrost Unit Cooler (LPE) Specifications

Model No.	Motor Amps		Heater Amps			BTUH Capacity @ 10°F TD (R404)			
	115V/1Ø	230V/1Ø	115V/1Ø	230V/1Ø	Watts	-30°F ST	-20°F ST	-10°F ST	+10°F ST
LPE15-9-***	0.73	0.37	3.5	1.75	400	940	945	955	960
LPE25-13-***	1.5	0.73	4.4	2.2	500	1,258	1,278	1,292	1,307
LPE25-17-***	1.5	0.73	6.1	3.05	700	1,606	1,656	1,692	1,732
LPE25-21-***	2.4	1.2	6.1	3.05	700	1,915	2,033	2,122	2,230
LPE25-31-***	2.4	1.2	7.8	3.9	900	2,988	3,056	3,103	3,156
LPE35-38-***	3.6	1.8	10.4	5.2	1,200	3,558	3,680	3,767	3,867
LPE45-59-***	4.8	2.4	13	6.5	1,500	5,583	5,802	5,950	6,136
LPE55-70-***	6.0	3.0	20	10	2,300	6,295	6,684	6,974	7,322