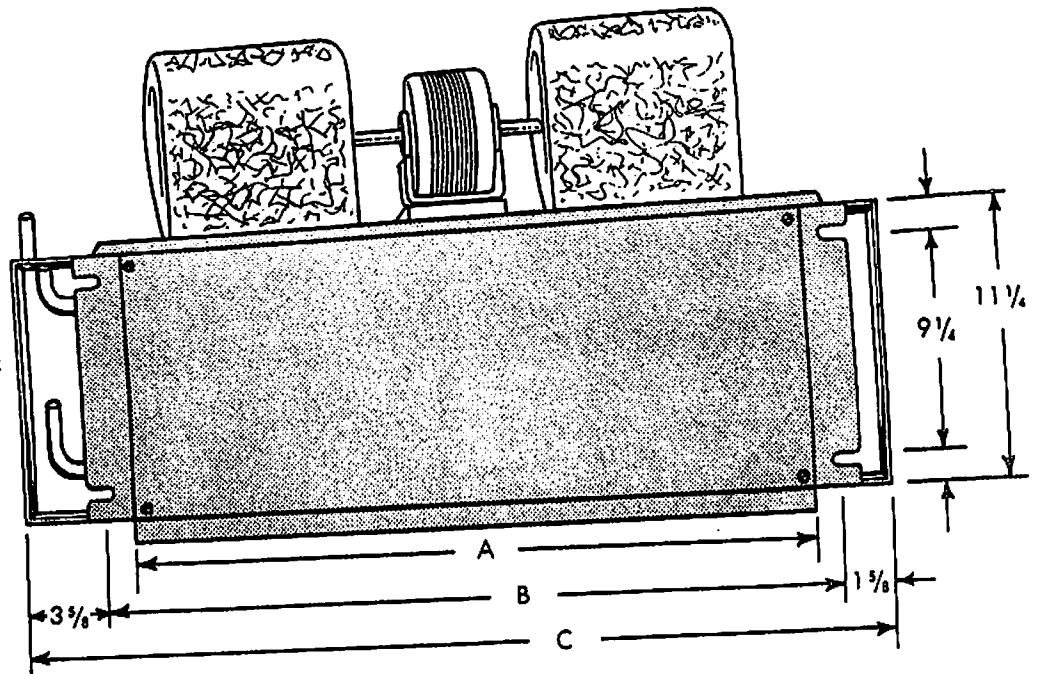
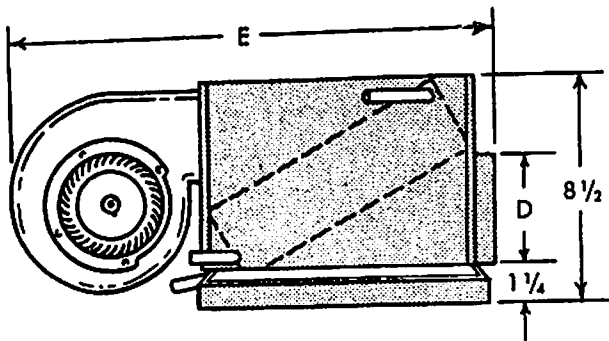


# COMFORT CONDITIONER

200-600 CFM  
AIR HANDLING UNITS  
HORIZONTAL HIDEAWAY TYPE



(Left Hand Unit LB 600 Shown)



### GENERAL SPECIFICATIONS:

- Quiet, Efficient, Low Speed Blowers
- Thermal Overload Protected Motors
- Heavy Gauge Galvanized Housings
- Drain Pan Insulated and Coated with Mastic
- Manual Air Vent For Water Coils
- 3/8" O.D. Copper Tube Coil with 12 Aluminum Fins per inch
- All Models only 8 1/2" high
- Speed control if desired

DIMENSIONS  
(INCHES)

Dim.	LB 200	LB 300	LB 400	LB 600
A	14	21	28	32
B	16 3/4	23 3/4	30 3/4	34 1/2
C	22	29	36	40
D	6	6	6 1/2	7 1/2
E	20	20	20	20 1/2

### CAPACITY TABLE

MODEL	Air	Motor		Water			Wtr. Press. Drop (Ft.)	D-X 40° Evap Temp
	CFM	115/60/1		Cooling	Heating	G.P.M.		
		RPM	Amps.	45° ENT. WTR.	180° ENT. WTR.			
LB 200, LC 200, LD 200	200	1050	1/40	6140	18300	1.4	3.2	7720
LB 300, LC 300, LD 300	300	1050	1/30	8800	25600	2.0	4.9	10830
LB 400, LC 400, LD 400	400	1050	1/20	12800	36600	2.8	2.3	15720
LB 600, LC 600, LD 600	600	1050	1/10	21500	57000	4.3	4.8	23300

COOLING CAPACITY Based on 80° DB — 67° WB ENT. AIR  
HEATING CAPACITY Based on 60° DB ENT. AIR

LB units are basic units **without** casing as shown above  
LC units are units **with** casing in modern finish and grilles  
LD units are units **with** casing and duct inlet and outlet connections

# L. R. Corporation [Lanphere]

Manufacturers of Commercial Refrigeration & Air Conditioning Heat Transfer Equipment

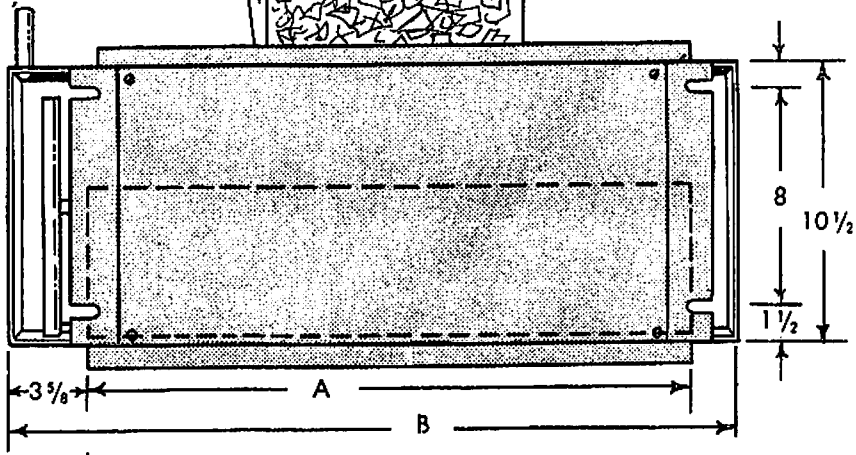
# COMFORT CONDITIONER

700-1600 CFM AIR HANDLING UNITS  
HORIZONTAL HIDEAWAY TYPE

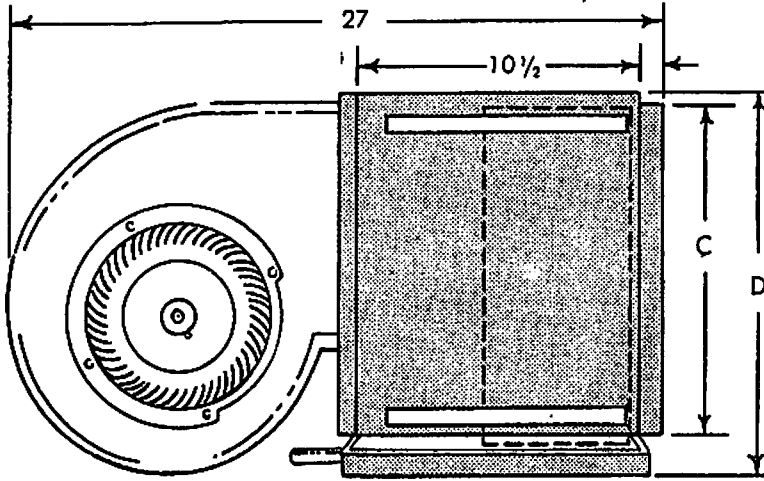
FOR...  
APARTMENTS  
MOTELS  
HOTELS  
OFFICES  
SCHOOLS  
RESTAURANTS

## GENERAL SPECIFICATIONS:

- Quiet, Efficient, Low Speed Blowers
- Thermal Overload Protected Motors
- Heavy Gauge Galvanized Housings
- Drain Pan Insulated, Coated with Mastic
- Copper Tube, Aluminum Finned Coil
- Two Speed Blowers



(Left Hand Unit Shown)



DIMENSIONS (INCHES)

Model	A	B	C	D
LB 700	17	22 1/4	10 1/4	12 1/2
LB 800	16	21 1/4	13 3/4	16
LB 1000	19	24 1/4	13 3/4	16
LB 1200	22	28	13 3/4	16
LB 1600	32	38	13 3/4	16

CAPACITY TABLE

MODEL	AIR C.F.M.	MOTOR H.P.	WATER COOLING 45° Ent. Water	HEATING 180° Ent. Water	G.P.M.	PRESSURE DROP WATER FT. HEAD	DX 40° F SUCTION TEMP.
.B 700, LC 700, LD 700	700	1/12	18000	66200	5.5	1.7	25740
.B 800, LC 800, LD 800	800	1/10	26000	81600	7.5	3.4	31880
.B 1000, LC 1000, LD 1000	1000	1/8	31000	97400	9.5	4.7	37820
.B 1200, LC 1200, LD 1200	1200	1/6	36400	114300	11.0	1.3	43960
.B 1600, LC 1600, LD 1600	1600	2-1/10	52000	163200	15.0	2.4	63760

B units are basic units **without** casing as shown above.  
C units are units **with** casing in modern finish and grilles.  
D units are units **with** casing and duct inlet and outlet connections.

COOLING CAPACITY Based on 80° DB — 67° WB ENT. AIR.  
HEATING CAPACITY Based on 60° DB ENT. AIR.

# L. R. Corporation [Lanphere]

*Manufacturers of Commercial Refrigeration & Air Conditioning Heat Transfer Equipment*

FACTORY and OFFICES

Huntington Park, California

Phone 583-3187