

UNIT COOLER

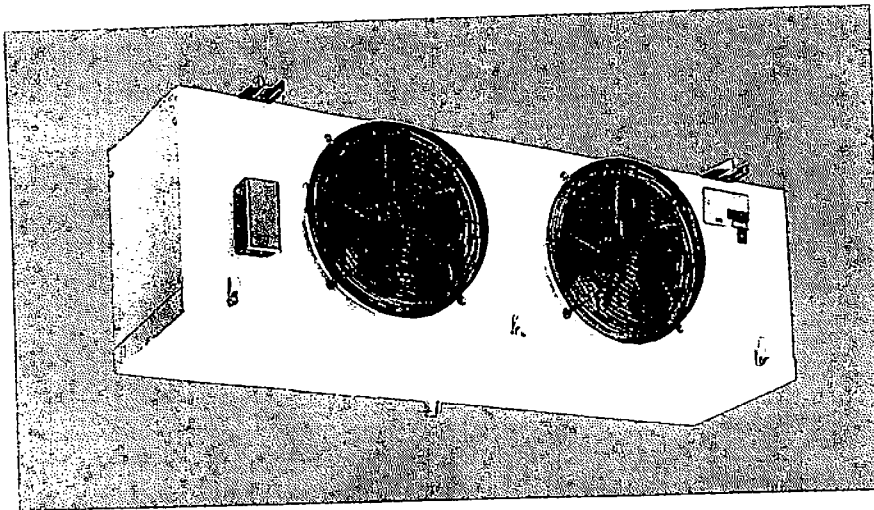
SL

SLIM LINE

TECHNICAL BULLETIN 9204



- AIR DEFROST -



APPLICATION: WALK-IN COOLER ABOVE 35°F

- Efficient easy to service low profile design.
- Dependable units for high and medium temperature with a range from 4200 BTUH to 36720 BTUH.
- Higher capacity for a more compact size.
- Creative engineering design for an all purpose evaporator for walk-in cooler, beverage boxes, produce storage, meat storage and cutting room, and many more applications.
- All aluminum stucco, rust proof construction.
- All staggered design copper tubing with aluminum fins, spaced at 5 or 7 fins per inch.
- Only 14" high; provides more head-room.
- Low noise level fan blades.
- 16 Watt, life lubricated motor with thermal overload, and plug-in harnesses.
- SL Series is 115 Volt standard, designed for R-12, R-22 and R-502.
- UL Listed, NSF approved.
- Tested @300 PSIG.
- When ordering specify refrigerant.

**SPECIFICATIONS**

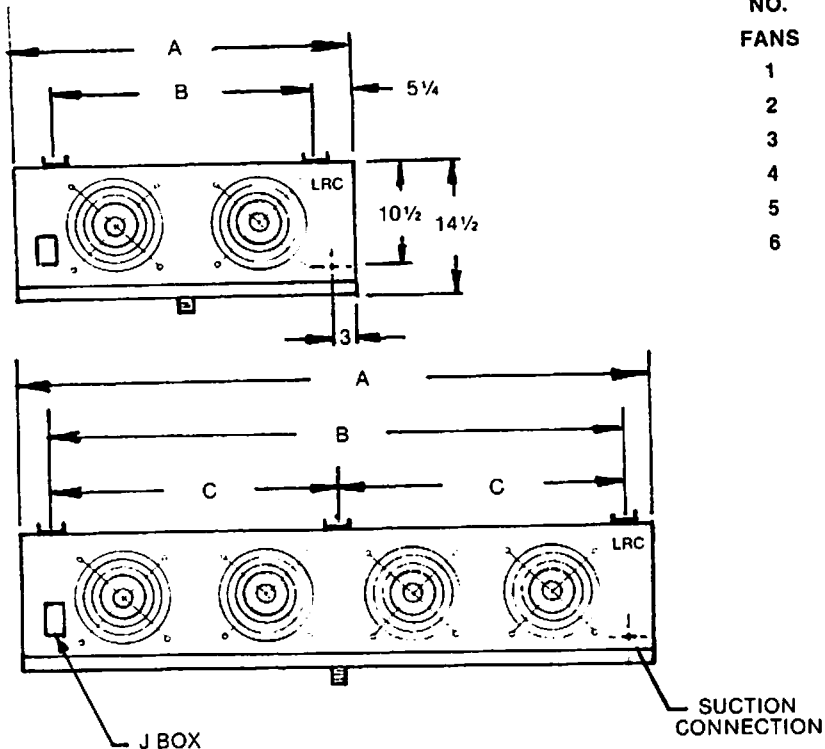
MODEL NO.	BTU H. 10° T.D.	BTU H. 12° T.D.	CFM	FAN 10"	TOTAL MOTOR AMPS. @ 115V.	CONNECTIONS		F.P.I.	WEIGHT (LBS.)
						LIQUID F.N.	SUCTION O.D.		
SL-420	4200	5040	700	1	1.1	1/2	5/8	5	30
SL-510	5100	6120	670	1	1.1	1/2	5/8	7	30
SL-730	7000	8400	1520	2	2.2	1/2	5/8	5	54
SL-840	8400	10080	1400	2	2.2	1/2	5/8	5	54
SL-1020	10200	12240	1340	2	2.2	1/2	5/8	7	54
SL-1260*	12600	15120	2100	3	3.3	1/2	7/8	5	80
SL-1530*	15300	18360	2010	3	3.3	1/2	7/8	7	84
SL-1690*	16900	20280	2800	4	4.4	1/2	7/8	5	96
SL-2040*	20400	24480	2680	4	4.4	1/2	7/8	7	102
SL-2550*	25500	30600	3350	5	5.5	1/2	1-1/8	7	107
SL-3060*	30600	36720	4020	6	6.6	1/2	1-1/8	7	165

\*Requires Externally Equalized T.X. Valve  
Specifications subject to change without notice.

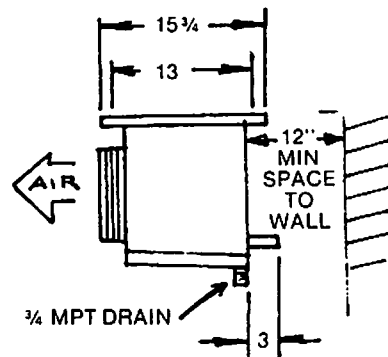


COIL CO. 2014 BELGRAVE AVE., HUNTINGTON PARK, CA 90255

213-583-3187  
FAX 213-583-2364



NO. FANS	DIMENSIONS (Inches)		
	A	B	C
1	28 1/2	18	—
2	45 1/2	35	—
3	62 1/2	52	—
4	79 1/2	69	34 1/2
5	96 1/2	86	43
6	113 1/2	103	51 1/2



**WALK-IN COOLER @ +35°F BOX TEMP.**

COOLER SIZE, FT.	BTUH @ AMBIENT TEMP, °F		
	80°F	90°F	100°F
6 x 8	4400	5150	5900
x 12	6000	7100	8400
x 16	7550	8700	10000
x 20	8900	10300	11750
x 24	10550	12225	13900
8 x 8	5575	6525	7475
x 12	7100	8250	9450
x 16	9050	10500	11900
x 20	10575	12150	13810
x 24	12000	13800	15600
10 x 10	7200	8350	9500
x 14	9675	11200	12700
x 18	11000	12650	14300
x 22	12800	14650	16500
x 26	14950	17150	19300
12 x 12	9800	11300	12850
x 16	11550	13250	14950
x 20	13625	15650	17550
x 24	15900	18200	20500
x 28	18500	20650	22950

**NORMAL PRODUCT LOAD INCLUDED**

COOLER SIZE, FT.	BTUH @ AMBIENT TEMP, °F		
	80°F	90°F	100°F
14 x 14	11525	12250	15000
x 18	13925	15975	18000
x 22	16375	18900	20900
x 26	17750	20250	22300
x 30	19550	22050	24200
16 x 16	14100	15950	18200
x 20	15600	17550	19700
x 24	17950	20350	22700
x 28	20625	23350	26050
x 32	22650	25600	28500
18 x 18	15350	17400	19450
x 22	18300	20675	23100
x 26	20700	23375	26050
x 32	25150	28250	31450
x 36	28100	31500	35100
20 x 20	18500	20850	23350
x 24	21200	23900	26600
x 28	24350	27375	30450
x 32	27450	30875	34300
x 36	30700	34450	38250

Chart is usable from 8 to 10 ft. heights.  
Chart is based on 16 to 18 hrs. running time.



**COIL CO.** 2014 BELGRAVE AVE., HUNTINGTON PARK, CA 90255

213-583-3187  
FAX 213-583-2364