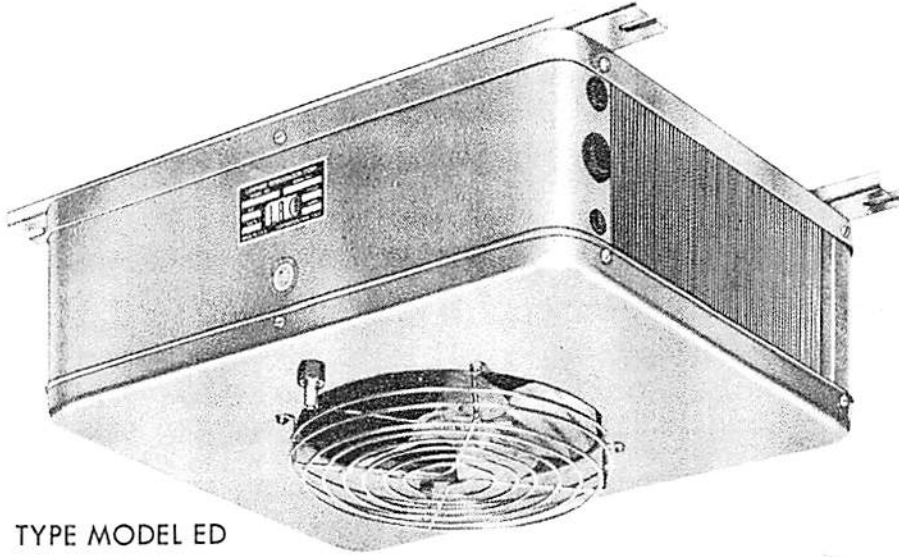
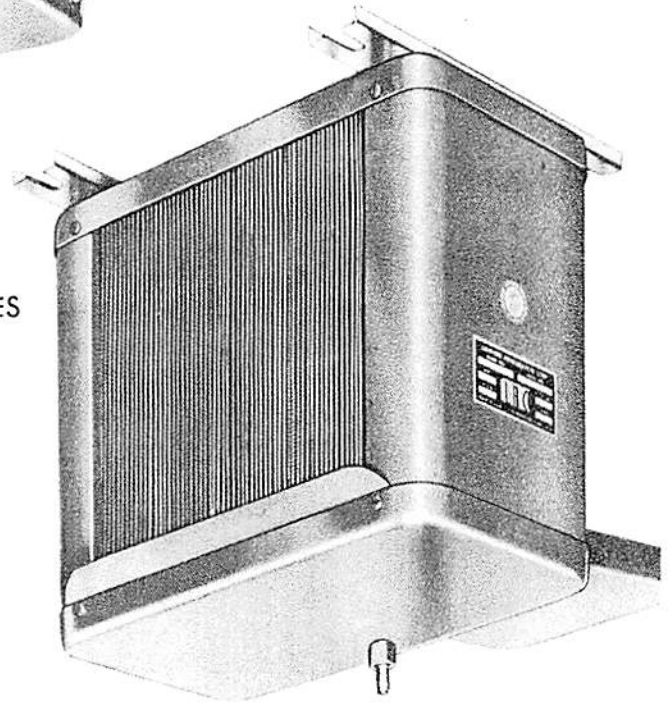


# SMALL ELECTRIC DEFROST COILS

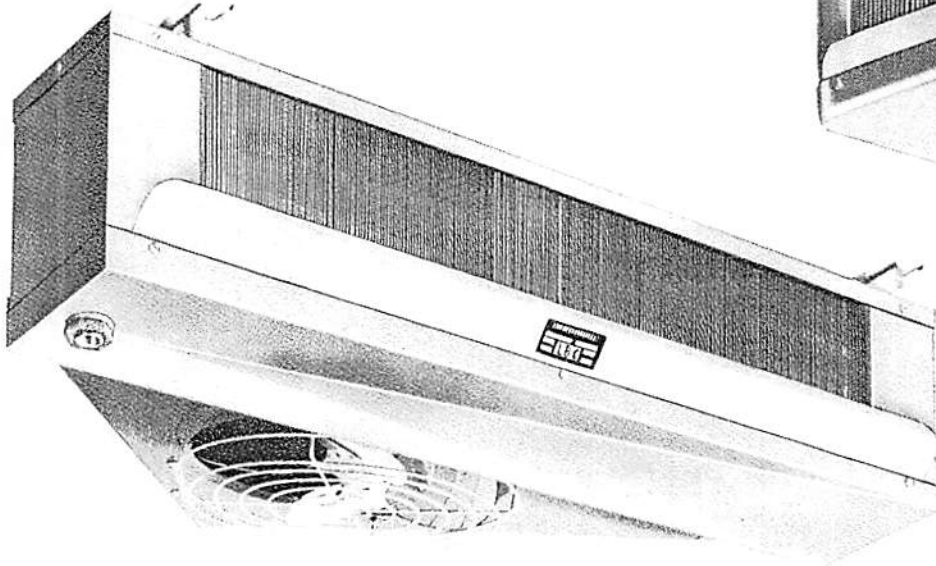
FOR REACH-IN FREEZERS, BAKERY FREEZERS, COUNTER FREEZER SECTIONS



TYPE MODEL ED



TYPE MODEL ES



TYPE MODEL EA

## L. R. Corporation [Lanphere]

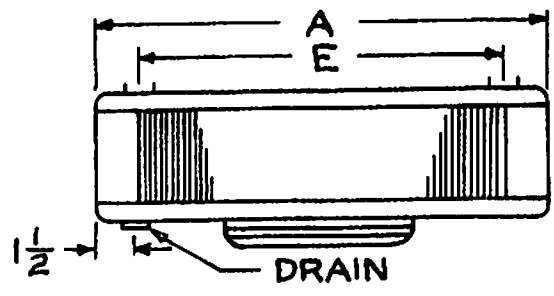
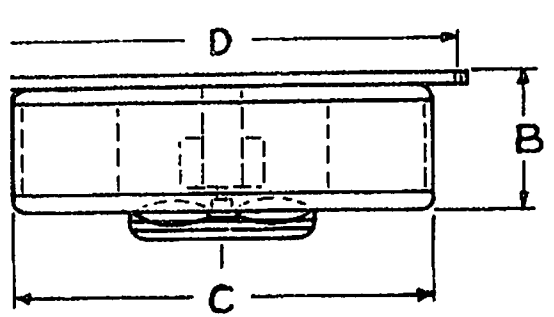
*Manufacturers of Commercial Refrigeration & Air Conditioning Heat Transfer Equipment*

FACTORY and OFFICES

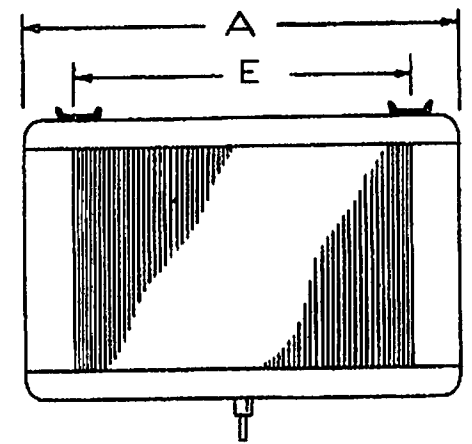
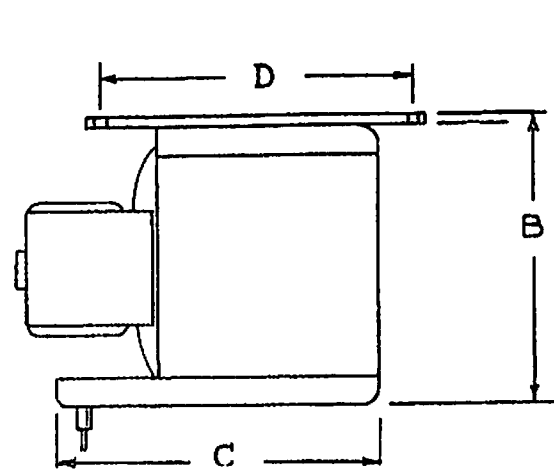
Huntington Park, California

• Phone 583-3187

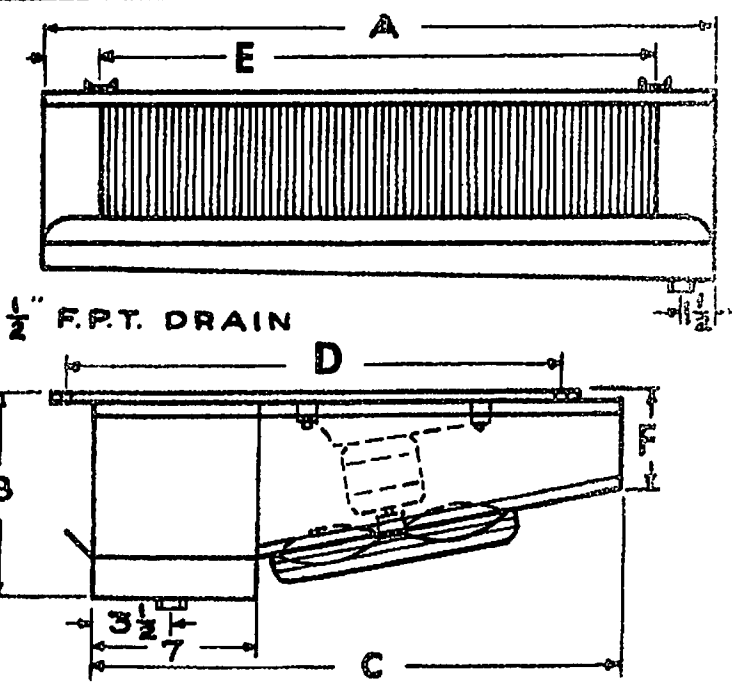
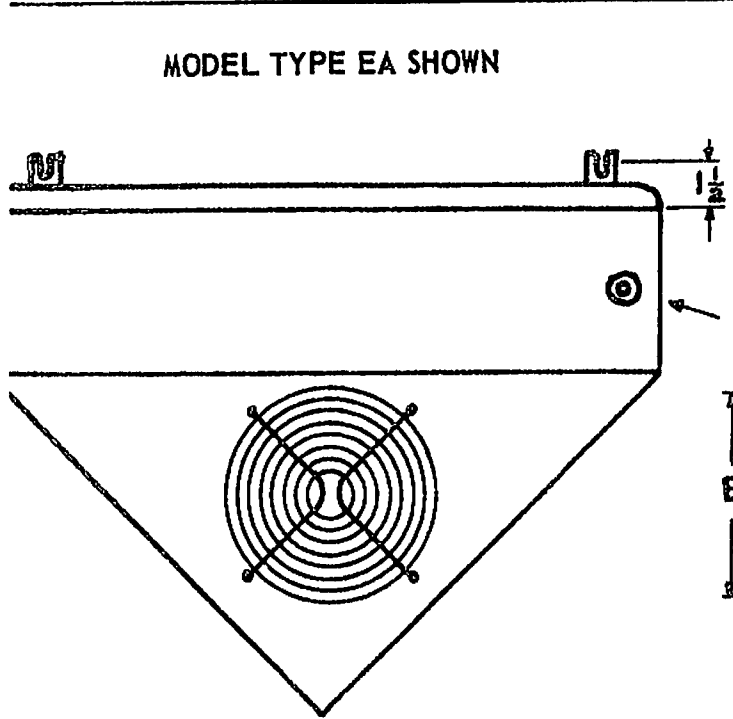
MODEL	BTU/HR 10° F.T.D.	C.F.M.	MOTOR H.P.	FAN BLADE	CONNECTIONS		DIMENSIONS						TOTAL HEATER WATT
					LIQ.	SUCT.	A	B	C	D	E	F	
<b>DOUBLE AIR BLOWER</b>													
D-162	1620	290	1/150	8"	3/8"	1/2"	14½	6	21	23	11¾	-	2-240
D-207	2070	370	1/40	10"	3/8"	1/2"	17½	6	23	25	14¾	-	2-240
D-275	2750	490	1/40	10"	3/8"	1/2"	17½	7½	23	25	14¾	-	2-500
D-345	3450	615	1/30	10"	3/8"	1/2"	17½	9	23	25	14¾	-	2-500
<b>STRAIGHT THRU BLOWER</b>													
S-150	1500	290	1/150	8"	3/8"	1/2"	14½	10½	12	11¼	11¼	-	750
S-180	1800	350	1/40	10"	3/8"	1/2"	17½	10½	12	11¼	14¾	-	750
S-210	2100	400	1/40	10"	3/8"	1/2"	17½	12	12	11¼	14¾	-	1000
S-250	2500	470	1/30	10"	3/8"	1/2"	17½	12	12	11¼	14¾	-	1000
<b>ANGLE BLOWER</b>													
A-260	2600	500	1/40	10"	3/8"	1/2"	29	7½	24	22½	26	5¼	1000
A-320	3200	600	1/30	10"	3/8"	1/2"	29	9	24	22½	26	7	1000
A-400	4000	625	1/30	12"	3/8"	1/2"	29	9	26	24½	26	7	1000



**MODEL TYPE ED SHOWN**  
 3/8" O.D. ALUM. TUBE DRAIN  
 ON MODEL ED-162.  
 1/2" F.P.T. DRAIN ON MODELS  
 ED-207, ED-275 AND ED-345.



**MODEL TYPE ES SHOWN**  
 3/8" O.D. ALUM. TUBE DRAIN  
 ON MODELS ES-150, ES-180.  
 1/2" F.P.T. DRAIN ON MODELS  
 ES-210 AND ES-250.



**MODEL TYPE EA SHOWN**