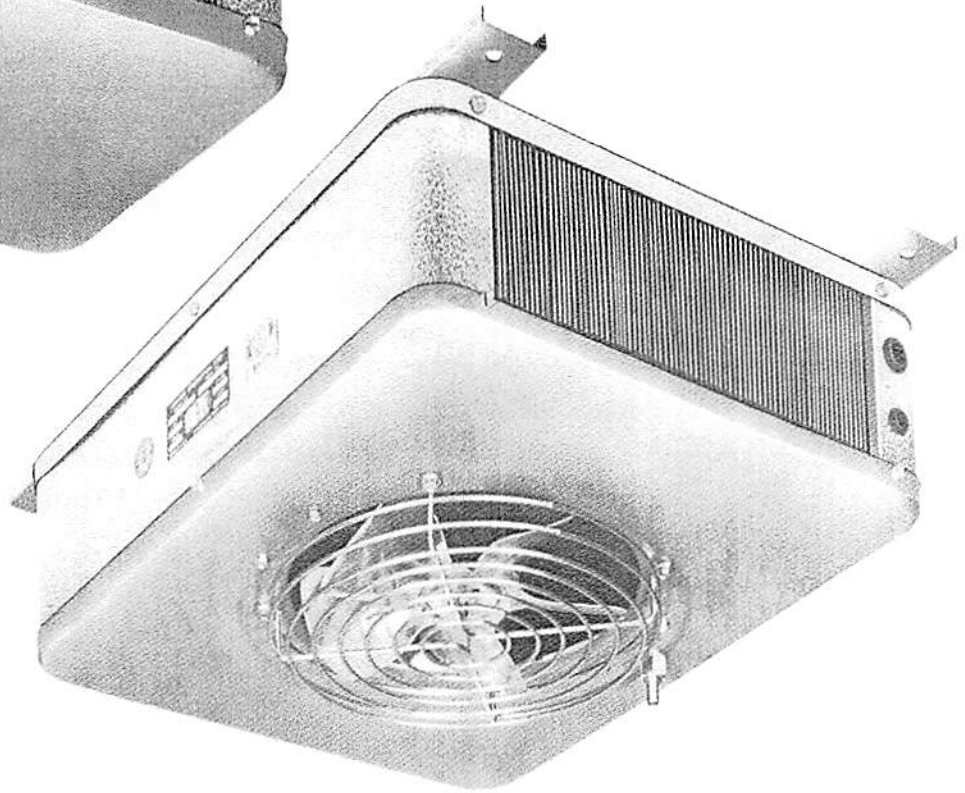


TYPE MODEL S



TYPE MODEL D

FOR REACH-IN BOXES, BEER BOXES, ETC.

- Aluminum or Heavy Galvanized Housing with Baked Enamel Finish, Completely Die Formed.
- Heavy Duty Motor.
- Designed Compact for Space Saving.
- S-Type Model Sides and Venturi One Piece.

L. R. Corporation [Lanphere]

Manufacturers of Commercial Refrigeration and Air Conditioning Heat Transfer Equipment

FACTORY and OFFICES

Huntington Park California

Phone 583-3187

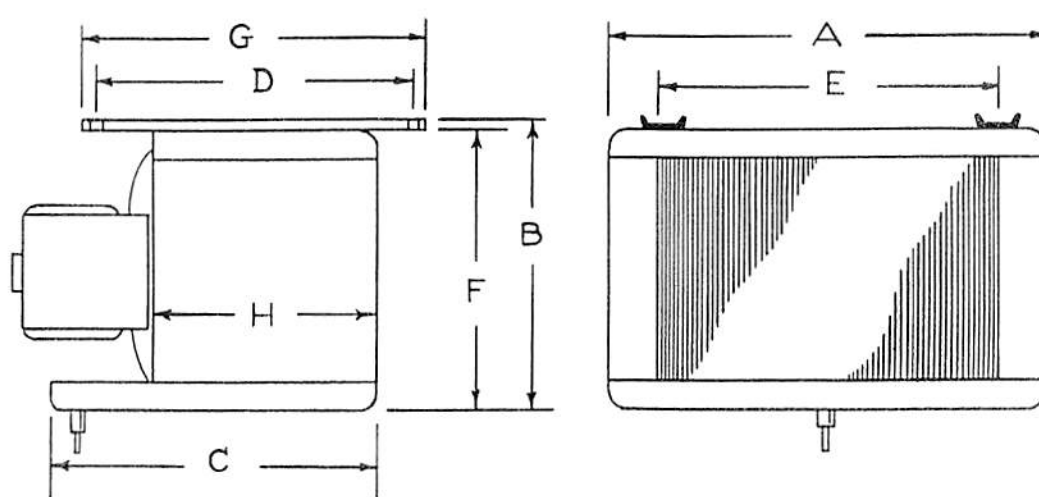
CAPACITIES B.T.U. RATING FOR

Model	B.T.U. 10° T.D.	C.F.M.	Motor	Fan	Conn.		DIMENSIONS							
					Liq.	Suc.	A	B	C	D	E	F	G	H
S-60	600	150	1/150	6"	1/4"	3/8"	12 1/2	7	8 1/2	8 3/4	9 3/4	6 3/4	9 1/2	6 1/4
S-90	900	180	1/150	8"	1/4"	3/8"	12 1/2	9	8 1/2	8 3/4	9 3/4	8 3/4	9 1/2	6 1/4
S-120	1200	200	1/150	8"	1/4"	3/8"	12 1/2	9	8 1/2	8 3/4	9 3/4	8 3/4	9 1/2	6 1/4
S-150	1500	220	1/150	8"	1/4"	3/8"	12 1/2	9	8 1/2	8 3/4	9 3/4	8 3/4	9 1/2	6 1/4
S-180	1800	350	1/40	10"	3/8"	1/2"	17 1/2	10	12	11 1/4	14 3/4	9 5/8	12	8 1/2
S-210	2100	400	1/40	10"	3/8"	1/2"	17 1/2	11 1/2	12	11 1/4	14 3/4	11 1/8	12	8 1/2
S-250	2500	420	1/40	10"	3/8"	1/2"	17 1/2	11 1/2	12	11 1/4	14 3/4	11 1/8	12	8 1/2

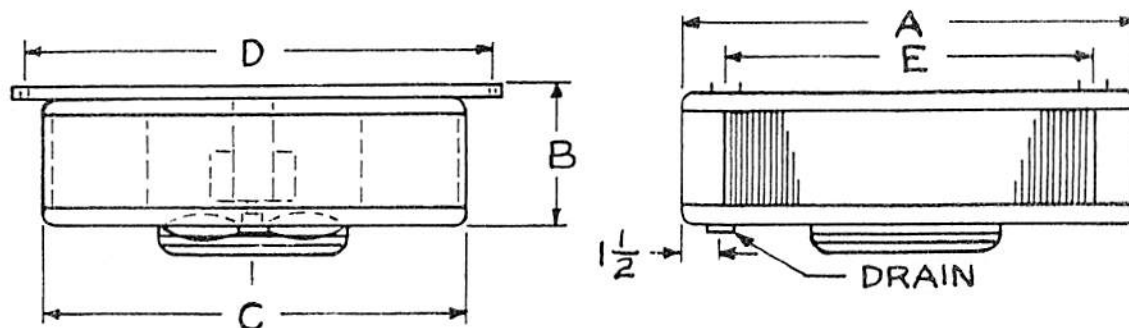
NOTE: Liq. and Suction Lines O.D. Copper Tube

Model	B.T.U. 10° TD	C.F.M.	Motor	Fan	Liq.	Suction	Dim. A	Dim. B	Dim. C	Dim. D	Dim. E
D108	1080	260	1/150	8"	3/8"	1/2"	14 1/2	6	18	20	11 3/4
D162	1620	290	1/150	8"	3/8"	1/2"	14 1/2	6	18	20	11 3/4
D207	2070	350	1/40	10"	3/8"	1/2"	17 1/2	6	20	22	14 3/4
D275	2750	465	1/40	10"	3/8"	1/2"	17 1/2	7 1/2	20	22	14 3/4
D345	3450	580	1/40	10"	3/8"	1/2"	17 1/2	9	20	22	14 3/4

MODEL TYPE S SHOWN



MODEL TYPE D SHOWN



NOTE: For D Models — motors mounted on top plate, leaving bottom removable for easy service.

3/8" O.D. Alum. Tube Drain on Models D108, D162
1/2 F.P.T. Drain on Models D207, D275 and D345.