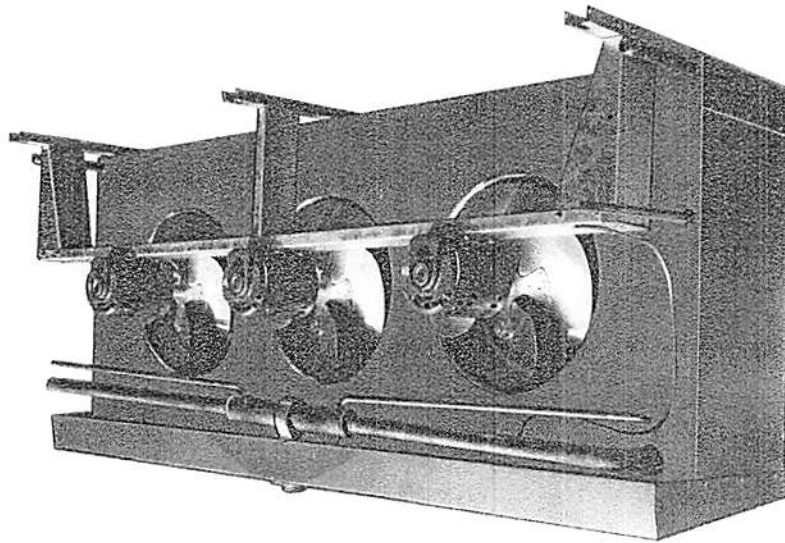
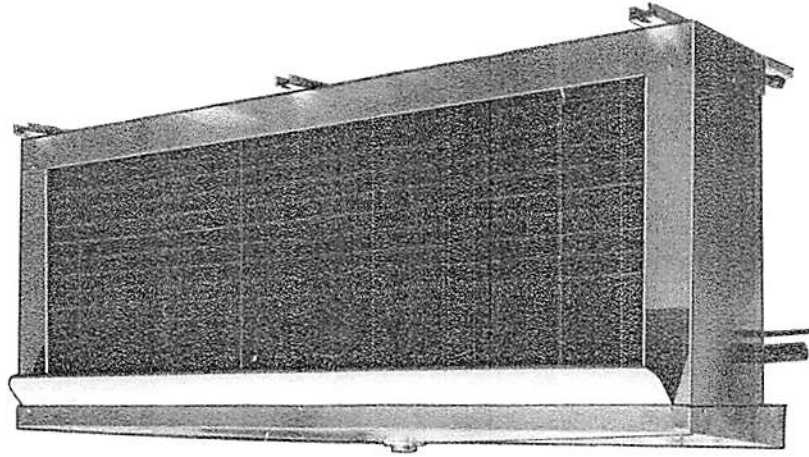


WATER DEFROST COILS with Straight Thru Blower



FOR LOW TEMPERATURE APPLICATION

★ Heavy Galvanized Housing with a Baked Enamel Finish.

★ Heavy Duty Motors with Overload Protection.

★ Staggered Tube Pattern for Better Operation.

L. R. Corporation [Lanphere]

Manufacturers of Commercial Refrigeration & Air Conditioning Heat Transfer Equipment

FACTORY and OFFICES

Huntington Park, California

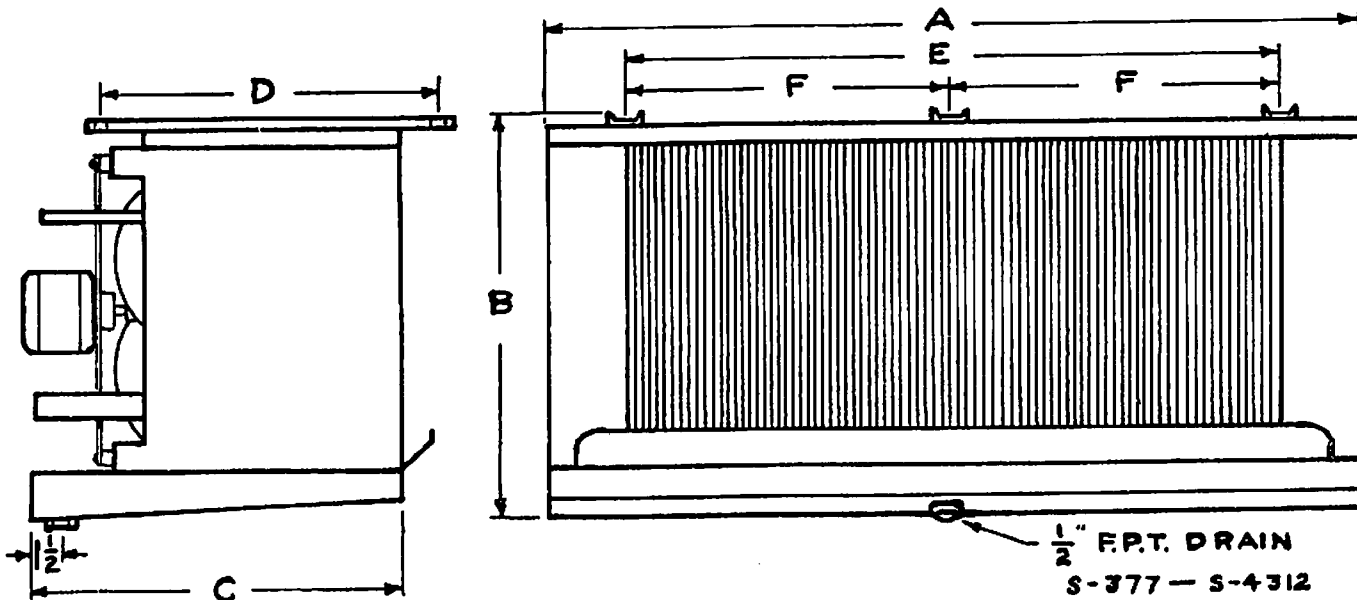
• Phone 583-3187

Low Temperature Applications Below 32°F - F-12 or F-22

Model	1° T.D.	B.T.U. 10° T.D.	B.T.U. 15° T.D.	B.T.U. H.P.	Motor Fan	Air Vol. C.F.M.	App. Air Throw	Liquid	Suction	Water Inlet	Drain
WS-1210	1210	12100	18150	1/6	14"	1800	30'	5/8 Tube	1 1/8 Tube	5/8"	1 1/2 FPT
WS-1452	1452	14520	21780	2-1/12	2-14"	2030	33'	5/8 Tube	1 1/8 Tube	5/8"	1 1/2 FPT
WS-1531	1531	15310	22965	2-1/12	2-14"	2250	35'	5/8 Tube	1 3/8 Tube	5/8"	1 1/2 FPT
WS-1684	1684	16840	25260	2-1/12	2-14"	2470	37'	5/8 Tube	1 3/8 Tube	5/8"	1 1/2 FPT
WS-1838	1838	18380	27570	3-1/12	3-14"	2700	39'	5/8 Tube	1 3/8 Tube	3/4"	1 1/2 FPT
WS-2522	2522	25220	38280	3-1/12	3-14"	2750	39'	5/8 Tube	1 5/8 Tube	3/4"	1 1/2 FPT
WS-2756	2756	27560	41440	3-1/12	3-14"	3000	41'	5/8 Tube	1 5/8 Tube	3/4"	1 1/2 FPT
WS-2990	2990	29900	44850	3-1/6	3-16"	4180	49'	5/8 Tube	1 5/8 Tube	3/4"	1 1/2 FPT
WS-3736	3736	37360	56040	3-1/6	3-16"	4240	49'	5/8 Tube	2 1/8 Tube	3/4"	1 1/2 FPT
WS-4037	4037	40370	60555	3-1/6	3-16"	4340	50'	5/8 Tube	2 1/8 Tube	3/4"	1 1/2 FPT
WS-4312	4312	43120	64680	3-1/4	3-16"	4650	51'	5/8 Tube	2 1/8 Tube	3/4"	1 1/2 FPT
WS-6000	6000	60000	90000	4-1/4	4-16"	7450	60'	3/4 Tube	2 5/8 Tube	3/4"	1 1/2 FPT

External Equalizers to Be Used on All Coils

Model	B.T.U. 10°F T.D.	Width Dim. A	Height Dim. B	Depth Dim. C	Dist. Dim. E	Model	B.T.U. 10°F T.D.	Width Dim. A	Height Dim. B	Depth Dim. C	Dist. Dim. E
WS-1210	12100	36"	23"	18"	30"	WS-2756	27560	63"	27"	18"	57"
WS-1452	14520	63"	21 1/2"	18"	57"	WS-2990	29900	78"	29 1/4"	18"	72"
WS-1531	15310	63"	23"	18"	57"	WS-3736	37360	78"	32 1/4"	18"	72"
WS-1684	16840	63"	24 3/4"	18"	57"	WS-4037	40370	78"	31"	18"	72"
WS-1838	18380	63"	26 1/2"	18"	57"	WS-4312	43120	78"	32 3/4"	18"	72"
WS-2522	25520	63"	24 3/4"	18"	57"	WS-6000	60000	114"	32 3/4"	18"	108"



Note: Specify 115 or 230 Volt H.P. Motors when ordering