

**Quiet, Low Velocity Cooler**  
Air Defrost - 3,233 to 6,767 BTUH Capacity  
Application - Ceiling mounted opposite end or corner configurations, medium size rooms

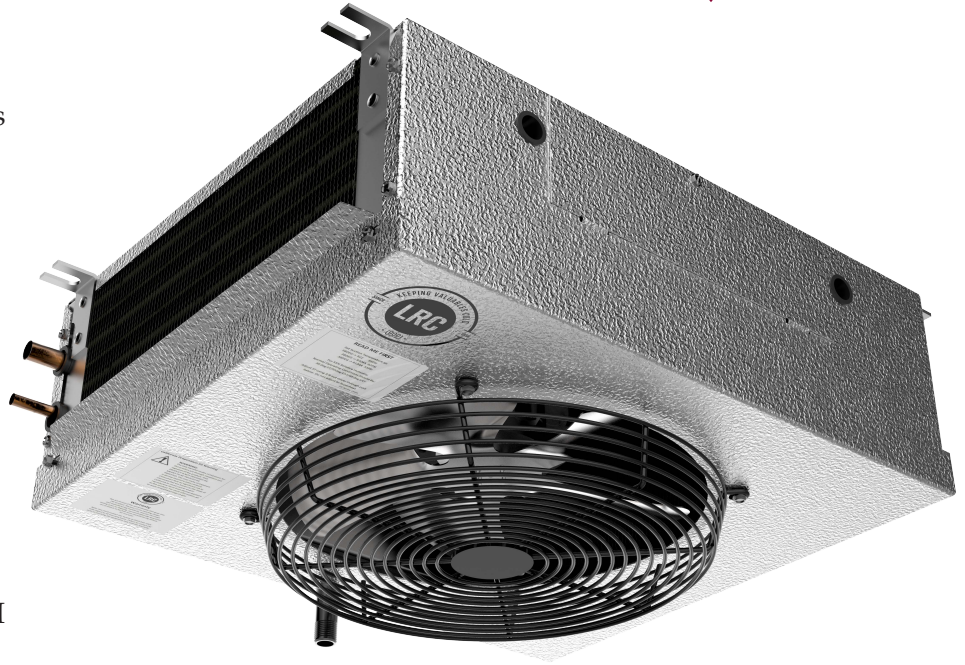
**Extremely Quiet Unit**



Providing two way medium velocity air flow, LRC's Double Ended Quiet (DQ) Ceiling mount Evaporator Units are coolers designed for home or commercial walk-in wine, tobacco or fur storage rooms or other acoustically sensitive areas.

DQ's efficient, low rpm motors and ultra quiet fan blades reduce noise compared to standard commercial units. An added benefit is the ultra-efficient motor reduces heat gain, reducing room cooling needs up to 50% over conventional units. Capacities range from 3,233 BTUH to 6,767 BTUH.

DQ Units can be used with R134a, R404a, R407a or other refrigerants.



- Ideal for humidity sensitive and low noise applications
- Expansion valve and liquid line solenoid valve standard
- Provides consistent humidity by maintaining a steady coil temperature, reducing the need for expensive temperature and humidity controls in most applications\*. Contact LRC for details.
- Thermally protected, electrically commutated motor (ECM)
- High performance staggered coils, with copper tubing mechanically expanded into aluminum collared fins
- Each unit is pressure tested to eliminate leaks

- ETL listed
- Rust proof aluminum housing. Flat black powder coated finish available. Call for details.
- Factory wired for easy field installation
- Air defrosting coil requires no additional heater
- Coil and drain pan coated with LRCCoat™ anticorrosion coating

**Options Available—  
Call for details**

- Copper coils and /or stainless steel cabinets available for harsh environments
- Custom or OEM units can be made to your specifications
- Chilled water units available by special order

Our Application Engineers can help you design the system you need. Call us today, 562-944-1969, and we'll help you get the right LRC product for your project.

**OUR UNCONDITIONAL GUARANTEE**

We're proud of the workmanship that goes into every LRC product. Because of our exacting design and manufacturing standards, and our thorough testing prior to shipping, we unconditionally guarantee our products to be free from manufacturing defects for one year. You can count on LRC Coil for quality heat transfer products.

At LRC, we are continuously working to improve our products, therefore, we reserve the right to make changes without notice.

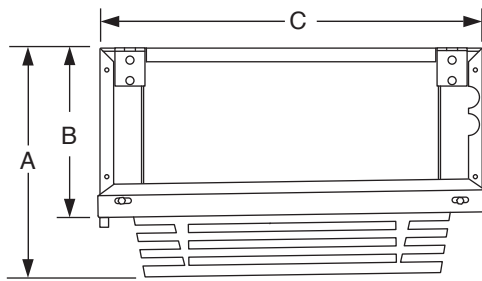


WARNING: The only harmful routes of exposure for this product is through inhalation and ingestion of this product. THIS PRODUCT IS NOT DESIGNED OR MEANT TO BE INHALED OR INGESTED. The only route of exposure that this product is meant for is dermal exposure (skin contact). Consumers face no significant risk to chemicals that are known to the State of California to cause cancer and/or reproductive harm from dermal exposure to this product. For more information, go to www.Prop65Warning.ca.gov.

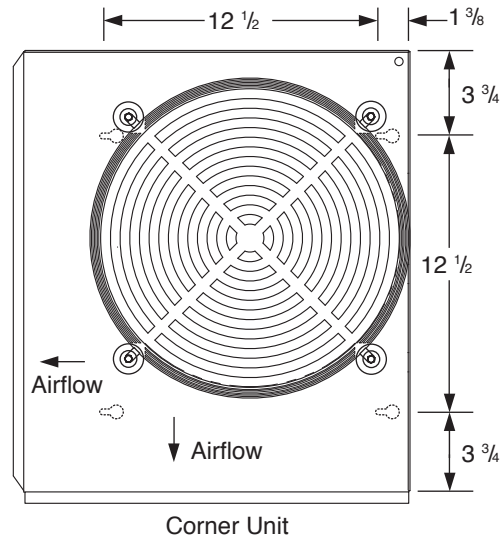
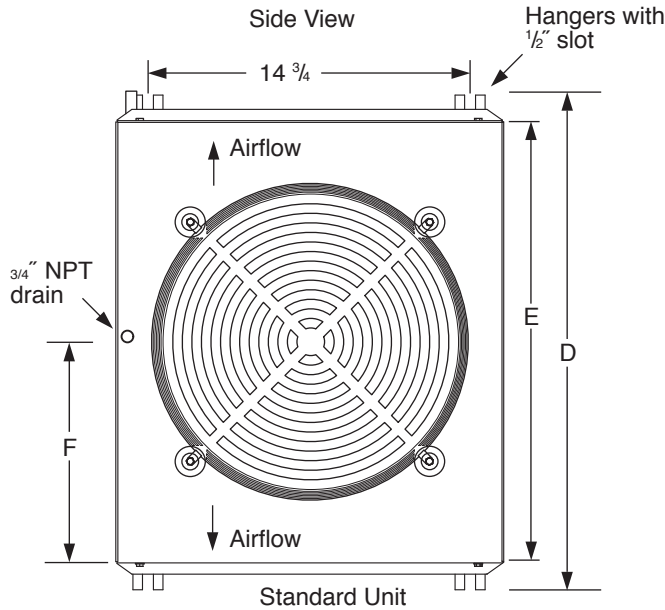
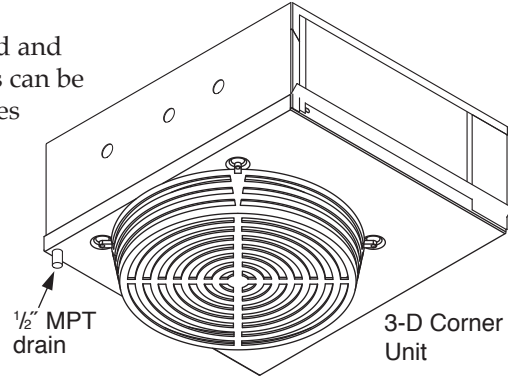
© LRC Coil Company 2016

\* = Assumes areas surrounding the humidity controlled room are maintained to ASHRAE conditions of 80°/67°. For humidity controlled rooms with different surrounding conditions, please contact LRC.

All dimensions are in inches



Please Note - Liquid and suction connections can be made using flex lines through any unit knock-out.



Visit [www.lrccoil.com](http://www.lrccoil.com) for Installation and Maintenance data and Wiring Diagrams.

Our Application Engineers can help you design the system you need. Call us today, 562-944-1969, and we'll help you get the right LRC product for your project.

Our website has a Wine Room Capacity Calculator that instantly determines room loads and capacities, enabling you to know cooling equipment requirements based on your exact specifications. Visit [LRCCoil.com](http://LRCCoil.com) for details.

### Double Ended Quiet (DQ) Evaporator Specifications

Model Number	BTUH Cap @ +17° TD 38° SST, 55° EAT			Motor*	Amps @ 115V	Fan	CFM	Connection Size (In)			Dim. (In)						Unit Wt.
	R22	R134a	R404a					Liq.	Suct.	Drain	A	B	C	D	E	F	
DQ-207	3,233	3,246	3,248			10"	350				7 1/2	4 3/4	17 1/2	23	20	10	28
DQ-275	4,763	4,782	4,817			12"	465				9 1/2	6 3/4	17 1/2	23	20	10	33
DQ-345	5,386	5,297	5,387	16 W	0.3	12"	580	3/8	5/8	3/4 NPT	10 1/2	7 3/4	17 1/2	23	20	10	38
DQ-432	5,817	5,788	5,843			12"	620				10 1/2	8 1/4	21	32 1/2	30 1/8	15	41
DQ-541	6,433	6,405	6,537			12"	650				11 1/2	8 13/16	21 1/16	32 1/2	30 1/8	15	44
DQ-650	6,767	6,734	6,746			12"	700				12 1/2	10 3/4	21 1/16	33 3/4	30 1/8	15	49

For Corner Units, add "-C" after part number (i.e. DQ-275-C)

Expansion valve and liquid line solenoid valve standard

\* = EC motor standard. Do not add speed control or motor failure could result.

Please note:

LRC cooling units are designed to minimize noise and vibration. To reduce/eliminate amplification of existing noise or vibration, extreme care must be taken during installation. Please refer to supplied installation instructions and use proper installation materials to minimize acoustic impact.

The use of oversized condensing units can lead to poor wine room evaporator performance and possible system failure. When installing a LRC wine room evaporator, it is recommended that condensing units be sized LESS than or equal to the evaporator capacity. Contact LRC Coil's Application Engineers at 562-944-1969 for questions or assistance.