

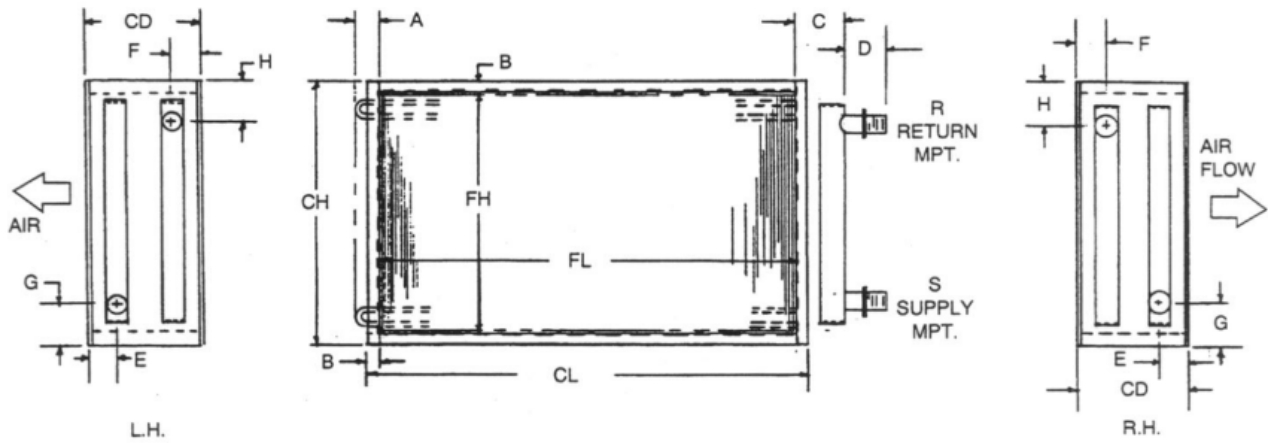


CHILLED WATER COILS

Technical Bulletin CC 230717 A

PAGE 1

Quotation # _____ Job # _____



PHYSICAL DIMENSIONS RECORD

COIL #	COIL I.D.	COPPER TUBE O.D.	ROWS	FPI	FH	FL	CH	CL	CD	A	B	C	D	E	F	G	H	R	S

PERFORMANCE DATA

COIL #		
1. BTUH Total		
BTUH Sensible		
2. GPM		
3. Water In °F		
4. Water Out °F		
5. Water P.D., Ft. Water		
6. CFM		
7. Air DB/WB - In - °F		
8. Air DB/WB - Out - °F		
9. Air P.D., In Water		
10. Fin Material		
11. R.H. or L.H.		