

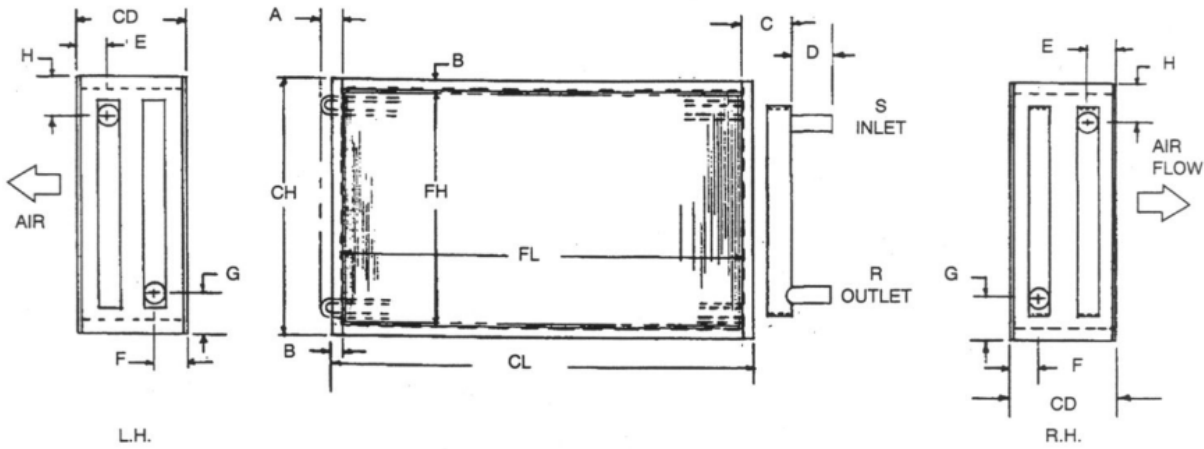


CONDENSER & HEAT RECLAIM COILS

Technical Bulletin CC 230717 A

PAGE 1

Quotation # _____ Job # _____



PHYSICAL DIMENSIONS RECORD

COIL #	COIL I.D.	COPPER TUBE O.D.	ROWS	FPI	FH	FL	CH	CL	CD	A	B	C	D	E	F	G	H	R	S

PERFORMANCE DATA

COIL #			
1.	BTUH - THR -		
	BTUH - Evap.		
2.	Refrigerant		
3.	Cond. Temp. °F		
4.	CFM.		
5.	Ambient Temp. °F		
6.	Air P.D. In Water		
7.	Altitude		
8.	# of Circuits		
9.	Fins Material		
10.	R.H. or L.H		