



**CTIH  
(June 2015 and later)  
SPARE PARTS LISTING**

**General Notes:**

**Always replace parts using LRC Coil parts for maximum life from the unit.**

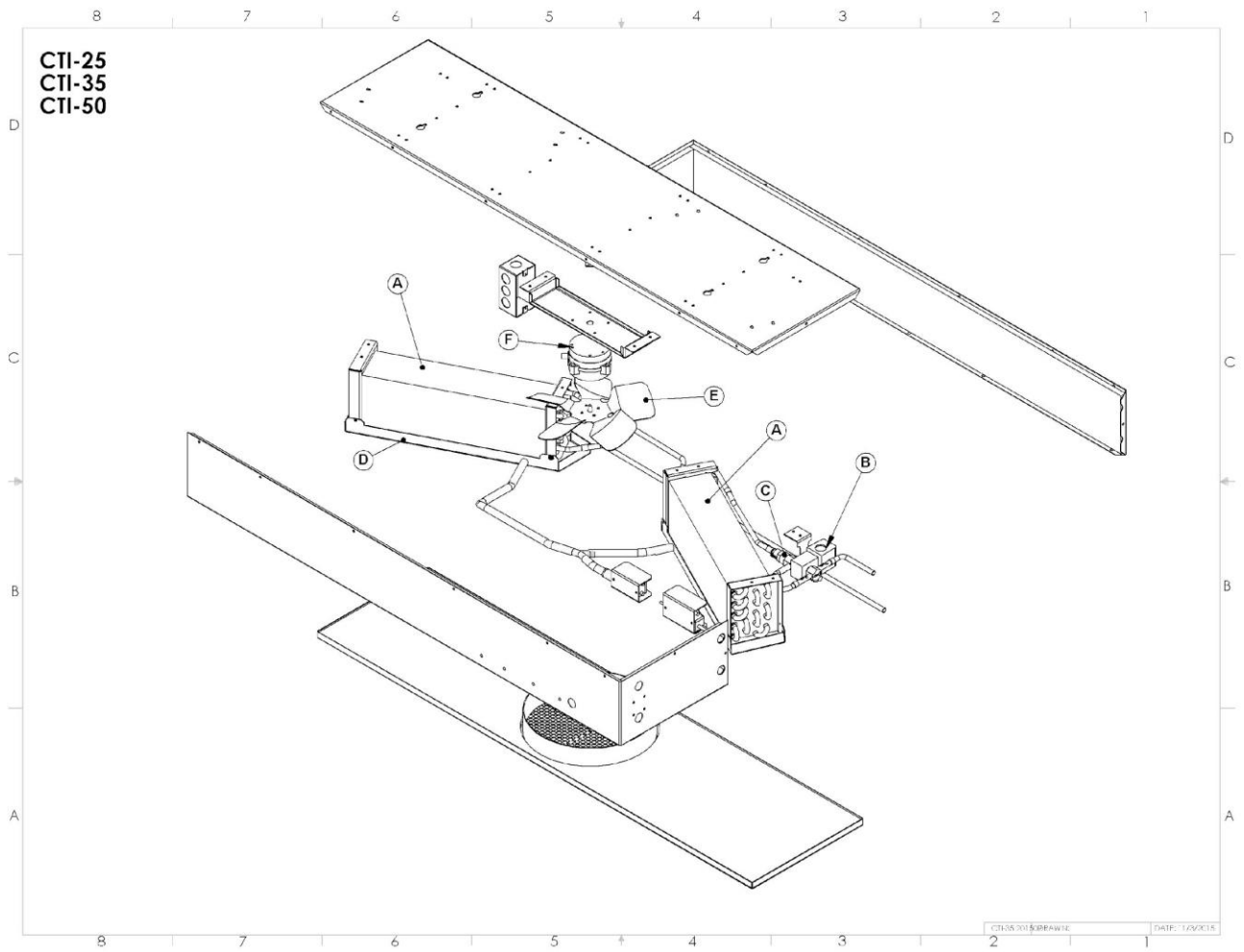
**DISCONNECT POWER BEFORE SERVICING UNIT OR INJURY  
MAY RESULT**

**Interpreting Serial Numbers**

LRC Coil serial numbers are arranged with a unique serial number and date code.

**#####-YYMM**

##### - unique serial number  
YYMM – Year Month of manufacture



Model	Part Description	Part Num.	Comment
CTI 25, 35, 50	A- Coil Assembly		
	CTI-25, 35	26003-01/02	Coated coils (set of LH/RH)
	CTI-50	26004-01/02	Coated coils (set of LH/RH)
	B - LLSV	2351/2760	120 volt coil
		2351/3120	24vac coil
	C - AXV	3628	Externally equalized – 3 ports
	D – Drain Pan –		
	CTI 25/35	26003-16/17	
	CTI-50	26004-16/17	
	E – Fan Blade	3100	10” x 27 deg CW hubless
	F – Fan motor	3707-1	120vac, ECM.
		3708-1	230vac, 3 speed, ecm
	G – Condensate Pump	4001 (2020 and before)	Siccom Mini Condensate Pump
		4326 (Since 1/1/21)	Yellow Refplus pump