



D and DQ SPARE PARTS LISTING

General Notes:

Always replace parts using LRC Coil parts for maximum life from the unit.

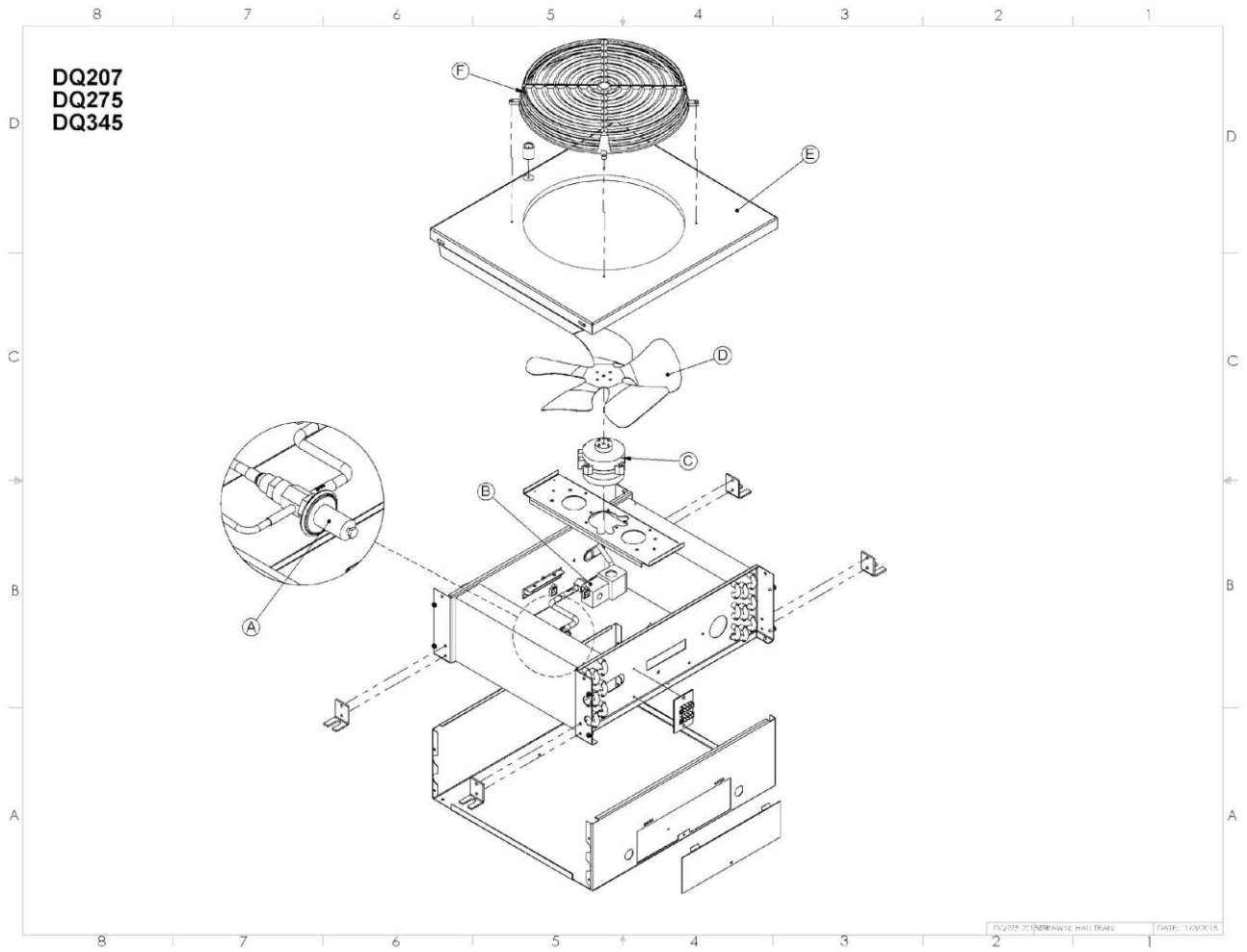
**DISCONNECT POWER BEFORE SERVICING UNIT OR INJURY
MAY RESULT**

Interpreting Serial Numbers

LRC Coil serial numbers are arranged with a unique serial number and date code.

#####-YYMM

- unique serial number
YYMM – Year Month of manufacture



Model	Part Description	Part Num.	Comment
DQ-207	A - AXV	2847	Internally equalized – 2 ports
	B - LLSV	2351/2760	120 volt coil
		2351/3120	24vac coil
	C – motor	3707-22 (wine), -REF (reg refrigeration	120vac, ECM. “-22” has 1 speed in reverse for reverse airflow option. Standard after 1/1/23.
		3708-Wine, - REF	230vac, 3 speed, ecm
	D – Fan Blade	3100	10” x 27 deg CW hubless
	E – Drain Pan	18988-01	
	F – Fan Guard	1037	10/12” wire fan guard
DQ-275	A - AXV	3628	Externally equalized – 3 ports
	B - LLSV	2351/2760	120 volt coil
		2351/3120	24vac coil
	C – motor	3707-22 (wine), -REF (reg refrigeration	120vac, ECM. “-22” has 1 speed in reverse for reverse airflow option. Standard after 1/1/23.
		3708-Wine, - REF	230vac, 3 speed, ecm
	D – Fan Blade	3167	12” x 18 deg CW hubless
	E – Drain Pan	20038-01	
	F – Fan Guard	1037	10/12” wire fan guard
DQ-345	A - AXV	3628	Externally equalized – 3 ports
	B - LLSV	2351/2760	120 volt coil
		2351/3120	24vac coil
	C – motor	3707	120vac, 3 speed, ECM
		3708	230vac, 3 speed, ecm
	D – Fan Blade	3168	10” x 27 deg CW hubless
	E – Drain Pan	20038-02	
	F – Fan Guard	1037	10/12” wire fan guard
DQ-432	A - AXV	3628	Externally equalized – 3 ports
	B - LLSV	2351/2760	120 volt coil

		2351/3120	24vac coil
	C – motor	3707-22	120vac, 3 speed, ECM
		3708	230vac, 3 speed, ecm
	D – Fan Blade	3168	10” x 27 deg CW hubless
	E – Drain Pan	20038-02	
	F – Fan Guard	1037	10/12” wire fan guard

AXV Note: for DQ’s prior to 2014 verify the number of ports. Some models we’re manufactured with 2 and 3 port valves at various times. Always verify the number of ports.

D Unit Drainpans – Legacy Refrigeration Models used in refrigerators/coolers

LRC part #	Description	Model used on
A-2281-1	1982 --> NOW	D-108, D-162
A-2282-2	1982 --> NOW	D-207 to D-345
A-3228-1	1982 --> NOW	D-432 to D-752
A-3228-2	1982 --> NOW	D-937 to D-1313
A-3229-1	1982 --> NOW	D-1650, D-1927
A-3229-2	1982 --> NOW	D-2290 to D-3213
A-3229-3	1982 --> NOW	D-3849

Fan Motors – no longer available. Check with aftermarket suppliers

Fan Guards – Contact Factory