



## **RMB SPARE PARTS LISTING**

### **General Notes:**

**Always replace parts using LRC Coil parts for maximum life from the unit.**

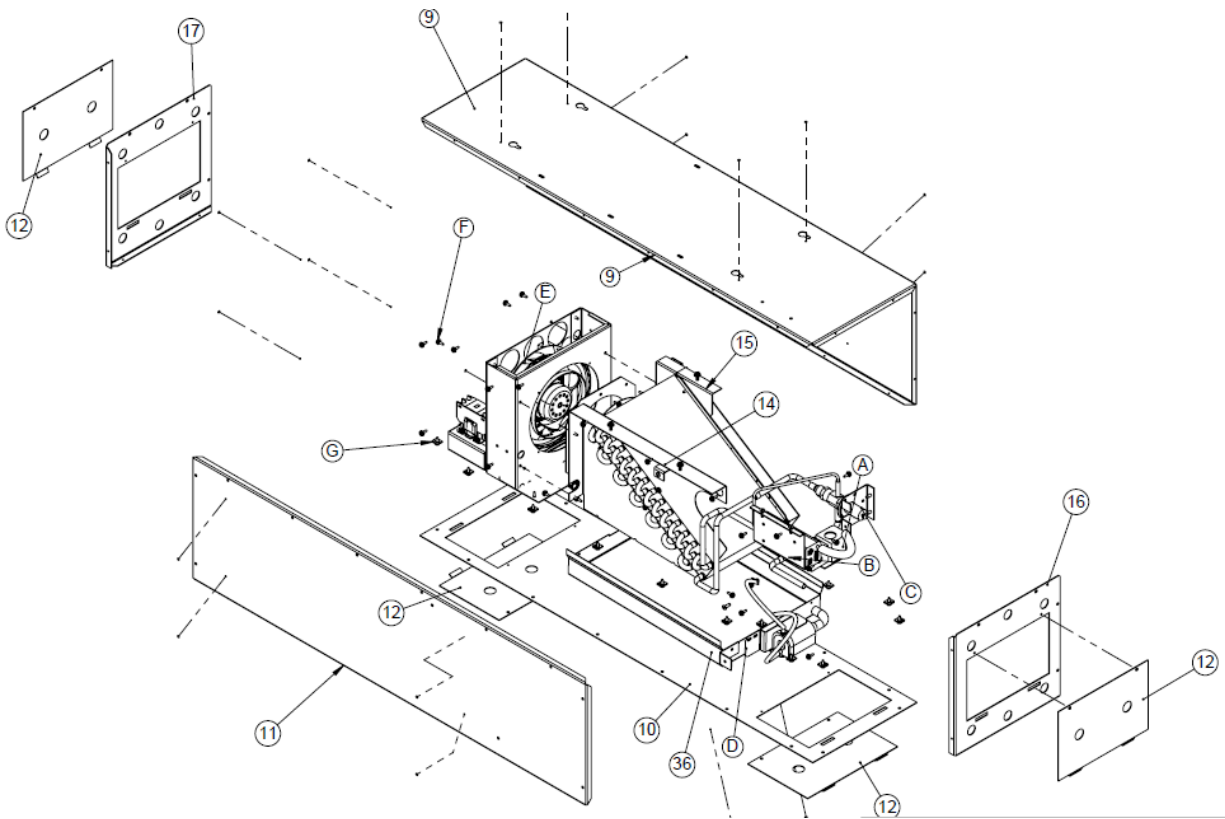
**DISCONNECT POWER BEFORE SERVICING UNIT OR INJURY  
MAY RESULT**

### **Interpreting Serial Numbers**

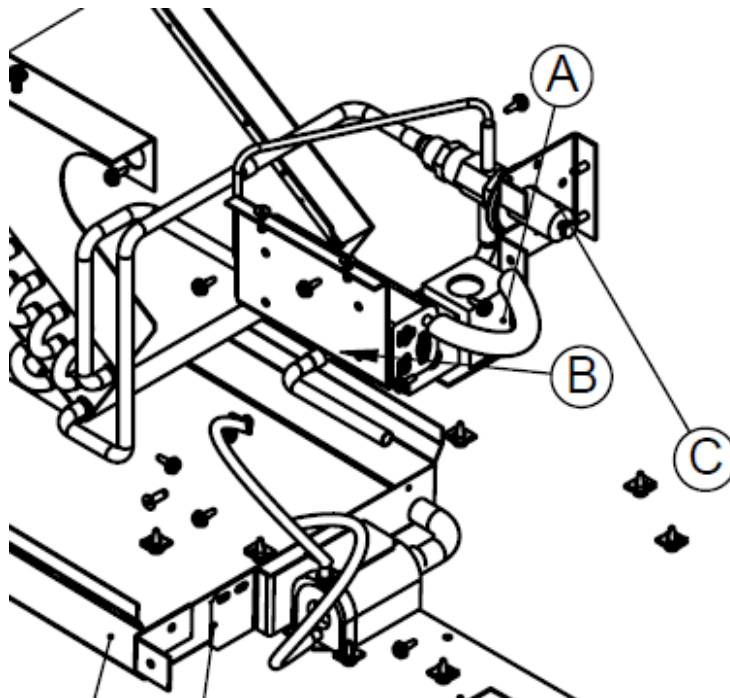
LRC Coil serial numbers are arranged with a unique serial number and date code.

**#####-YYMM**

##### - unique serial number  
YYMM – Year Month of manufacture



Note:



Model	Part Description	PN	Comment
<b>RMB-25</b>	A-Coil Assy-includes coil, coating, AXV, LLSV	26619-30 (EC & Reg.)	Coil assy is coated, w/ AXV, LLSV
	B-LLSV-Sol+Valve (120vac coil)	2351 + 2760	Recommended to replace both
	B(optional) -LLSV-Sol+Valve (24vac coil)	2351+3130	Recommended to replace both
	C-AXV	3 Port - 3628	Recommended
	D-Drain Pan	19895-01 (EC & Reg.)	Stainless Steel
	F-Impeller	4331 (120V, ECM)	EC motor
	G-Speed Ctrl	4248	Potentiometer (EC Models only)
	Pump	4326	Mini Condo Pump
	Transformer	4357	120/24V, 60hz transformer
	Relay/Contactor	4358	120V/24V coil contactor
<b>RMB-35</b>	A-Coil Assy-includes coil, coating, AXV, LLSV		Coil assy is coated, w/ AXV, LLSV
	B-LLSV-Sol+Valve (120vac coil)	2351 + 2760	Recommended to replace both
	B(optional) -LLSV-Sol+Valve (24vac coil)	2351+3130	Recommended to replace both
	C-AXV	3 Port - 3628	Recommended
	D-Drain Pan	19895-01 (EC & Reg.)	Stainless Steel
	F-Impeller	4331 (120V, ECM)	EC motor
	G-Speed Ctrl	4248	Potentiometer (EC Models only)
	Pump	4326	Mini Condo Pump

	Transformer	4357	120/24V, 60hz transformer
	Relay/Contactor	4358	120V/24V coil contactor

Model	Part Description	PN	Comment
<b>RMB-50</b>	A-Coil Assy-includes coil, coating, AXV, LLSV		Coil assy is coated, w/ AXV, LLSV
	B-LLSV-Sol+Valve (120vac coil)	2351 + 2760	Recommended to replace both
	B(optional) -LLSV-Sol+Valve (24vac coil)	2351+3130	Recommended to replace both
	C-AXV	3 Port - 3628	Recommended
	D-Drain Pan	27322-40 (EC & Reg.)	Stainless Steel
	F-Impeller	4331 (120V, ECM)	EC motor
	G-Speed Ctrl	4248	Potentiometer (EC Models only)
	Pump	4326	Mini Condo Pump
	Transformer	4357	120/24V, 60hz transformer
	Relay/Contactor	4358	120V/24V coil contactor
<b>RMB-65</b>	A-Coil Assy-includes coil, coating, AXV, LLSV		Coil assy is coated, w/ AXV, LLSV
	B-LLSV-Sol+Valve (120vac coil)	2351 + 2760	Recommended to replace both
	B(optional) -LLSV-Sol+Valve (24vac coil)	2351+3130	Recommended to replace both
	C-AXV	3 Port - 3628	Recommended

	D-Drain Pan	19895-01 (EC & Reg.)	Stainless Steel
	F-Impeller	4331 (120V, ECM)	EC motor
	G-Speed Ctrl	4248	Potentiometer (EC Models only)
	Pump	4326	Mini Condo Pump
	Transformer	4357	120/24V, 60hz transformer
	Relay/Contactor	4358	120V/24V coil contactor