



HS SPARE PARTS LISTING

General Notes:

Always replace parts using LRC Coil parts for maximum life from the unit.

DISCONNECT POWER BEFORE SERVICING UNIT OR INJURY MAY RESULT

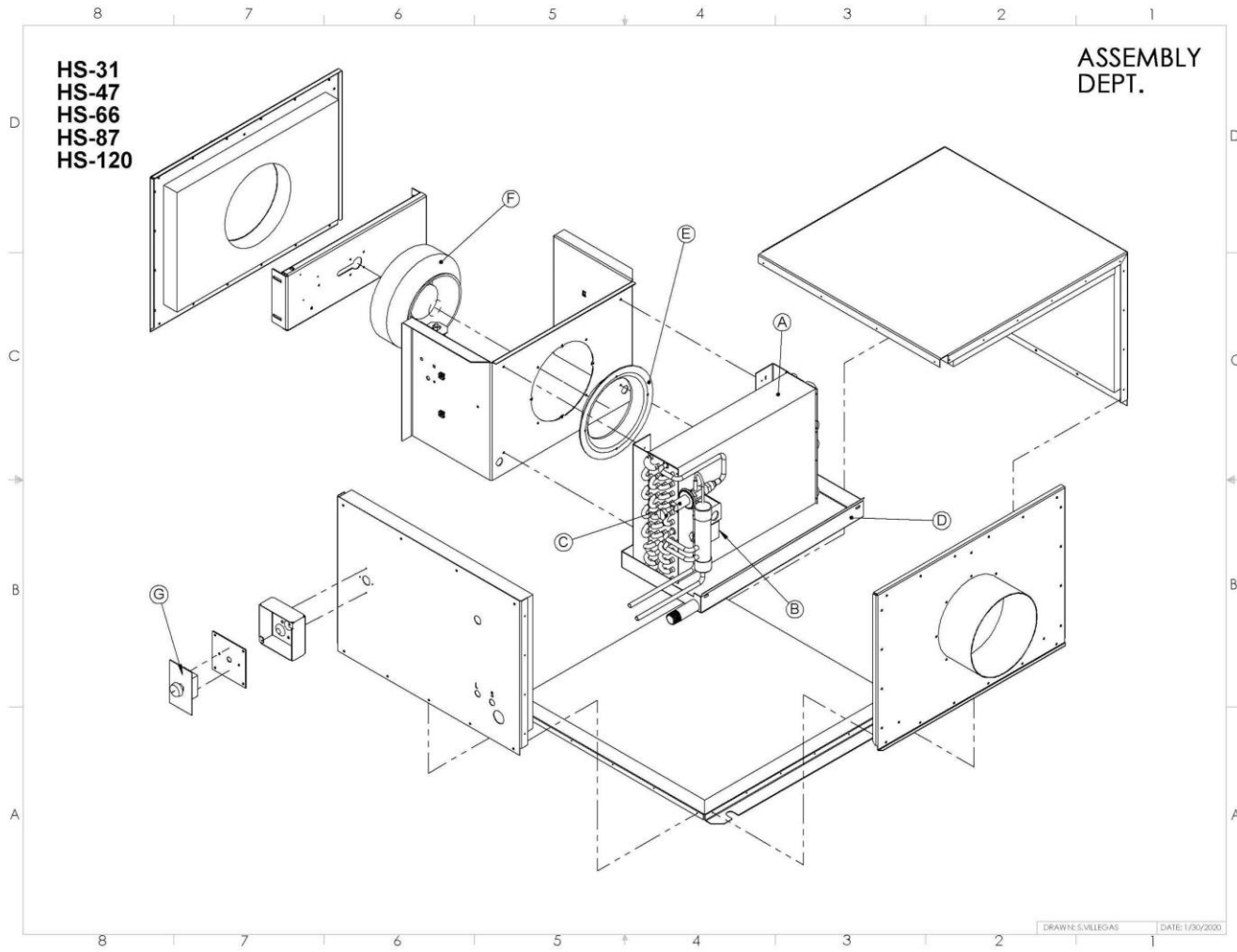
Interpreting Serial Numbers

LRC Coil serial numbers are arranged with a unique serial number and date code.

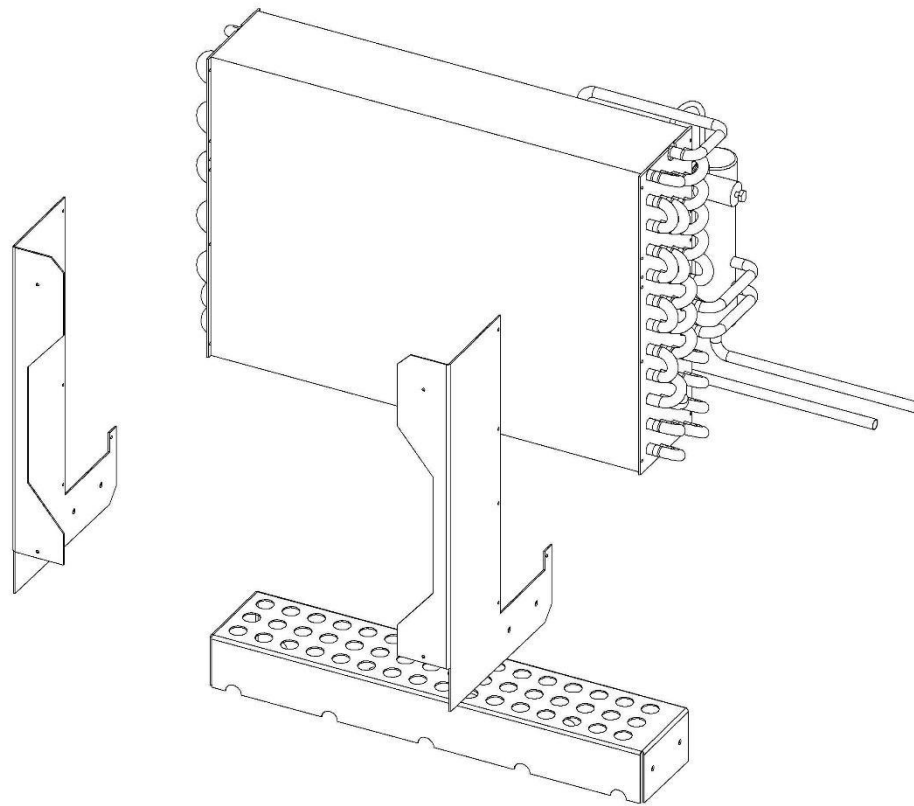
#####-YYMM

- unique serial number

YYMM – Year Month of manufacture



Std unit



HS EC coil after feb 2020 with attachments

Model	Part Description	Part Number		Comment
HS-25	A-Coil Assy-includes coil, coating, AXV, LLSV	Coil Only (brazing Only)	Coil Only + Sheet Metal Attachments	Coil assy is coated, w/ AXV, LLSV, Not coated pre-2009, New endplate Style after july 2018
		26565-20 (std)	26565-50 (std)	
		N/A	26407-10 (EC) before Feb 01 2020	
		26565-20 (EC) after Feb 01 2020	26892-20 (EC) after feb 2020	
	B-LLSV-Sol+Valve (120vac coil)	2351 + 2760		Recommended to replace both
	B(optional) -LLSV-Sol+Valve (24vac coil)	2351+3130		Recommended to replace both
	C-AXV	2 Port - 2847		Pre late 2014 – verify config.
		3 Port - 3628		Recommended
	D-Drain Pan	21156-01 26407-16 (EC)		Stainless Steel
	E-Inlet Ring	Part of Impeller Kit		Replace as part of set
	F-Impeller	2274-kit (120V, PSC) 3414-kit (230V, PSC) 4331 (120V, ECM) Fan Assy (27293-30 HS-25EC) Fan Assy (27342-50 HS-25CL w/ EC)		Impeller, ring and capacitor 4331 with adapter plate When replacing early generation EC fans When replacing early generation EC fans
	G-Speed Ctrl	2953 (120V) 3653 (230V)		2.5 Amp (do not use on EC models)
	H – Speed Ctrl (EC ONLY)	4248		Potentiometer

Model	Part Description	Part Number	Comment
HS-31	A-Coil Assy-includes coil, coating, AXV, LLSV	Coil Only + Sheet Metal Attachments	Coil assy is coated, w/ AXV, LLSV, Not coated pre-2009
		26594-65 (std)	
		26408-20 (EC) before feb 2020	
		26893-20 (EC) after feb 2020	
	B-LLSV-Sol+Valve (120vac coil)	2351 + 2760	Recommended to replace both
	B(optional) -LLSV-Sol+Valve (24vac coil)	2351+3130	Recommended to replace both
	C-AXV	2 Port - 2847	Pre late 2014 – verify config.
		3 Port - 3628	Recommended
	D-Drain Pan	20993-00 26408-10 (EC)	Stainless Steel
	E-Inlet Ring	Part of Impeller Kit	Replace as part of set
	F-Impeller	2848-kit (120V, PSC) 3414-kit (230V, PSC) 4331 kit (120V, ECM)	Impeller, ring and capacitor Sheetmetal motor assy
	G-Speed Ctrl	2953 (120V) 3653 (230V)	2.5 Amp (not for EC) (do not use on EC models)
H –Speed Ctrl (EC ONLY)	4248	Potentiometer	

Model	Part Description	PN	Comment
HS-47	A-Coil Assy-includes coil, coating, AXV, LLSV	Coil Assy + Sheet Metal Attachments	Coil assy is coated, w/ AXV, LLSV, Not coated pre-2009
		26600-60 (HS-47CL w/EC)	
		26410-10 (HS-47EC) bef. Feb 2020	
		27225-20 (HS-47EC) after feb 2020 w/brackets	
	B-LLSV-Sol+Valve (120vac coil)	2351 + 2760	Recommended to replace both
	B(optional) -LLSV-Sol+Valve (24vac coil)	2351+3130	Recommended to replace both
	C-AXV	3 Port - 3628	Recommended
	D-Drain Pan	20993-00 26410-06 (EC)	Stainless Steel
	E-Inlet Ring	Part of Impeller Kit	Replace as part of set
F-Impeller	2848-kit (120V, PSC) 3414-kit (230V, PSC) 4074 (120V, ECM) 27225-30 (HS-47EC Fan Assy) 27205-30 (HS-47CL w/EC Fan Assy)	Impeller, ring and capacitor Early Gen EC motor not available Replacement fan assy Replacement fan assy	
G-Speed Ctrl	2953 (120V) 3653 (230V)	2.5 Amp (do not use on EC models)	
H – Speed Ctrl (EC ONLY)	4248	Potentiometer	

--	--	--	--

Model	Part Description	Part Number		Comment
HS-66	A-Coil Assy-includes coil, coating, AXV, LLSV	Coil Only (brazing Only)	Coil Only + Sheet Metal Attachments	Coil assy is coated, w/ AXV, LLSV, Not coated pre-2009
		26599-20 (std)	26599-25 (std)	
		n/a	26411-20 (EC) bef. Feb 2020	
		26599-20 (EC) after feb 2020	26908-20 (EC) after feb 2020	
	B-LLSV-Sol+Valve (120vac coil)	2351 + 2760		Recommended to replace both
	B(optional) -LLSV-Sol+Valve (24vac coil)	2351+3130		Recommended to replace both
	C-AXV	3 Port - 3628		Recommended
	D-Drain Pan	20992-00 26411-10 (EC)		Stainless Steel
	E-Inlet Ring	Part of Impeller Kit		Replace as part of set
F-Impeller	2841-kit (120V, PSC) 3744- kit (230V, PSC) 4331-kit (120V, ECM)		Impeller, ring and capacitor	
G-Speed Ctrl	3653 (120 V) 3694 (230V)		5.0 Amp (do not use on EC models)	
H – Speed Ctrl (EC ONLY)	4248		Potentiometer	

Model	Part Description	PN		Comment
HS-87	A-Coil Assy-includes coil, coating, AXV, LLSV	Coil Only (brazing Only)	Coil Only + Sheet Metal Attachments	Coil assy is coated, w/ AXV, LLSV, Not coated pre-2009
		26599-20 (std)	26599-25 (std)	
		n/a	26411-20 (EC) bef. Feb 2020	
		26599-20 (EC) after feb 2020	26908-20 (EC) after feb 2020	
	B-LLSV-Sol+Valve (120vac coil)	2351 + 2760		Recommended to replace both
	B(optional) -LLSV-Sol+Valve (24vac coil)	2351+3130		Recommended to replace both
	C-AXV	3 Port - 3628		Recommended
	D-Drain Pan	20992-00 26411-10 (EC)		Stainless Steel
	E-Inlet Ring	Part of Impeller Kit		Replace as part of set
	F-Impeller	2841-kit 4331 Kit EC		Impeller, ring and capacitor
	G-Speed Ctrl	3653		5.0 Amp do not use on EC
	H – Speed Ctrl (EC ONLY)	4248		Potentiometer

Model	Part Description	Part Number	Comment
HS-120	A-Coil Assy-includes coil, coating, AXV, LLSV	Coil Only + Sheet Metal Attachments	Coil assy is coated, w/ AXV, LLSV, Not coated pre-2009, verify coil height
		21189-00 (pre 2011 – 22” tall)	
		26979-10 (HS-120CL w/EC)	
		26413-10 (HS-120EC) before feb 2020	
		26906-20 (HS-120EC) after feb 2020	
	B-LLSV-Sol+Valve (120vac coil)	2351 + 2760	Recommended to replace both
	B(optional) -LLSV-Sol+Valve (24vac coil)	2351+3130	Recommended to replace both
	C-AXV	3 Port - 3628	Recommended
	D-Drain Pan	21221-00	Pre-1/2015, Aluminum w/ coating
		21200-01 26906-10 (EC)	Post-1/2015, Aluminum w/ coating Now stainless Steel
	E-Inlet Ring	Part of Impeller Kit	Replace as part of set
	F-Impeller	2842-kit (120V) 4331-kit (120V ECM) single motor 27469-50 for 4 fan assembly (to replace Rosenbergs)	Impeller, ring and capacitor EC motor 190mm EC motor 225mm
	G-Speed Ctrl	3653	5.0 Amp do not use on EC
H – Speed Ctrl (EC ONLY)	4248	POT + KNOB	
	4249		

HS-180EC	A-Coil Assy-includes coil, coating, AXV, LLSV	26321-10 (EC) before feb 2020 26897-10 (EC) after feb 2020	Coil assy is coated, w/ AXV, LLSV,
	B-LLSV-Sol+Valve (120vac coil)	2351 + 2760	Recommended to replace both
	B(optional) -LLSV-Sol+Valve (24vac coil)	2351+3130	Recommended to replace both
	C-AXV	3 Port - 3628	Recommended
	D-Drain Pan	26321-09	Stainless Steel
	E-Inlet Ring	Part of Impeller Kit	Replace as part of set
	F-Impeller	4116-kit (230V ECM)	Impeller, ring and capacitor
	G-Speed Ctrl	N/A	Not used
	H – Speed Ctrl (EC ONLY)	4248	Potentiometer